
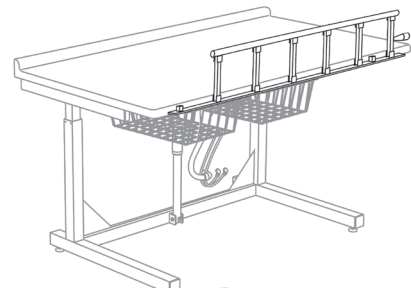
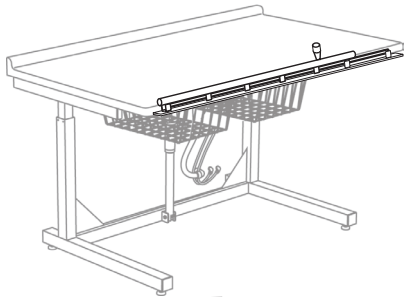
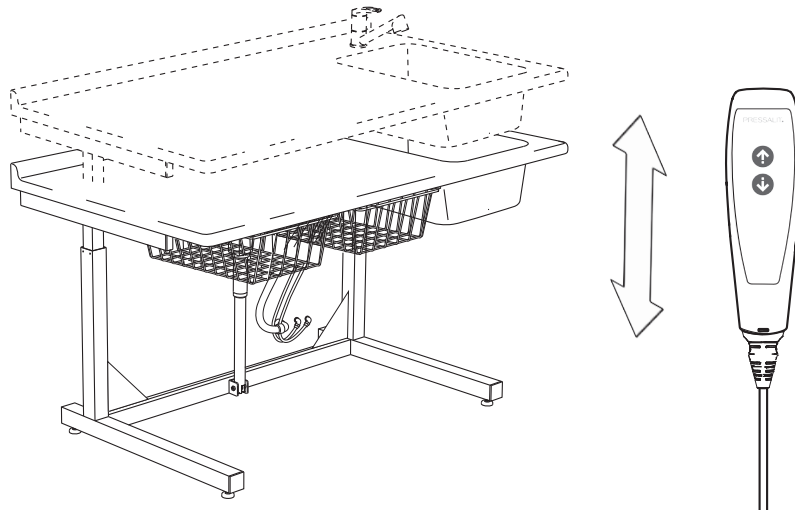
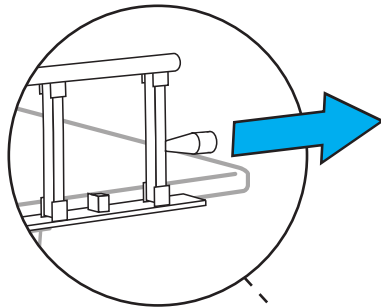
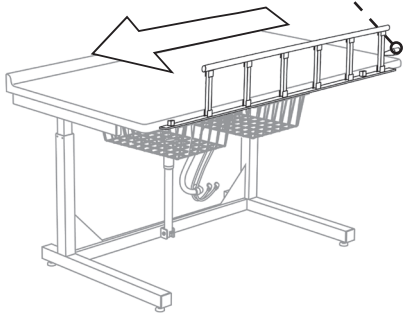
 = 150 kg
 = 330 lbs



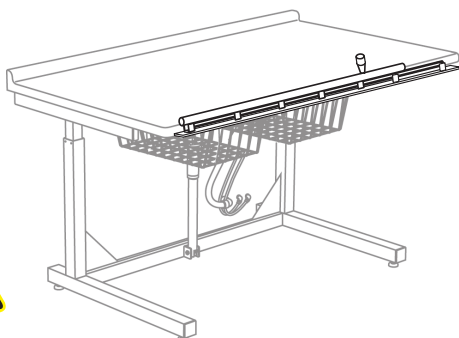
①



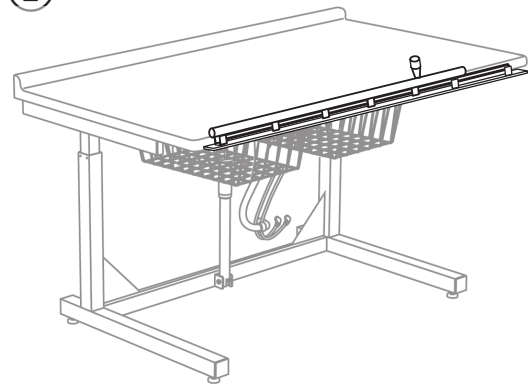
②



③



①



②

