



R7034, R7304
R7334, R7364

R7114, R7115, R7124
R7125, R7134, R7135
R7404, R7414, R7415
R7424, R7425, R7434
R7435, R7454, R7455
R7464, R7465

PLUS

Shower seat 310/450 – Operation and maintenance manual	en
Brusesæde 310/450 – Brugs- og vedligeholdelsesvejledning	dk
Duschsitz 310/450 – Gebrauchs- und Pflegeanleitung	de
Siège de douche 310/450 – Manuel d'utilisation et d'entretien	fr
Douchezitting 310/450 – Gebruiks- en onderhoudshandleiding	nl
Duschsits 310/450 – Bruks- och underhållsanvisning	sv
Dusjsete 310/450 – Bruks- og vedlikeholdsveiledning	no
Asiento de ducha 310/450 - Instrucciones de uso y mantenimiento	es
Sedile per doccia 310/450 - Manuale d'uso e manutenzione	it
Siedzisko prysznicowe 310/ 450 – Instrukcja obsługi i konserwacji	pl
Sedátko do sprchy 310/450 – Návod k obsluze a údržbě	cs

浴椅 310/450 - 操作和维护手册

中文



English	14
Dansk	26
Deutsch	38
Français	50
Nederlands	62
Svenska	74
Norsk	86
Español	98
Italiano	110
Język polski	122
Čeština	134
中文	146



Pressalit's Environmental and Quality Management Systems are certified by LRQA

en	The guarantee covers faults or defects in material or manufacture within a period of 5 years. Products are subject to minor technical modifications and design deviations. E. & O.E.
dk	Garantien dækker i 5 år fra fakturadato for materiale- og fabrikationsfejl. Der tages forbehold for trykfejl, tekniske ændringer og modelafvigelser.
de	Die Garantie gilt für 5 Jahre ab Rechnungsdatum für Material- und Herstellungsfehler. Druckfehler, technische Änderungen und Modellabweichungen vorbehalten.
fr	La garantie couvre les vices de fabrication et de matériaux pour une durée de 5 ans à partir de la date de facturation. Sous réserve de modifications techniques et d'erreurs d'impression.
nl	De garantie is tot 5 jaar na factuurdatum geldig voor materiaal- en fabricagefouten. Onder voorbehoud van drukfouten, technische wijzigingen en modelafwijkingen.
sv	Garantin gäller i 5 år från fakturadatum för material- och fabrikationsfel. Med reservation för tryckfel, tekniska ändringar och modellavvikelser.
no	Garantien gjelder i 5 år fra fakturadato for material- og fabrikkasjonsfeil. Med forbehold for trykkfeil, tekniske endringer og modellforskjeller.
es	La garantía cubre fallos de material o fabricación durante los 5 años posteriores a partir de la fecha de factura. Mantenemos reservas en caso de problemas de impresión, modificaciones técnicas y variaciones de modelo.
it	La garanzia copre i difetti di materiale o di fabbricazione per un periodo di 5 anni. I prodotti sono soggetti a piccole modifiche tecniche e a variazioni nel design.
pl	5-letnia gwarancja obejmuje usterki oraz wady produkcyjne i materiałowe. Produkty mogą ulec nieznanym zmianom technicznym i projektowym. Zastrzegamy sobie prawo do błędów i pomini.
cs	Záruka se vztahuje na poruchy nebo vady materiálu nebo výroby po dobu 5 let. Výrobky podléhají drobným technickým úpravám a konstrukčním odchylkám. Chyby a opomenutí vyhrazeny.
中文	保修涵盖 5 年内出现的材料或制造故障或缺陷。产品的技术和设计可能稍微发生变化，恕不另行通知。

REF

310



R7034



R7304



R7334



R7364

450



R7114



R7115



R7124



R7125



R7134



R7135



R7404



R7414



R7415



R7424



R7425



R7434



R7435



R7454



R7455



R7464



R7465



**310**

R7034: 14,73 kg / 32.47 lbs

R7304: 5,83 kg / 12.85 lbs

R7334: 16,25 kg / 35.83 lbs

R7364: 17,09 kg / 37.68 lbs

450

R7114: 9,43 kg / 20.79 lbs

R7115: 8,45 kg / 18.63 lbs

R7124: 11,59 kg / 25.55 lbs

R7125: 10,61 kg / 23.39 lbs

R7134: 15,73 kg / 34.68 lbs

R7135: 14,75 kg / 32.52 lbs

R7404: 7,6 kg / 16.75 lbs

R7414: 10,45 kg / 23.04 lbs

R7415: 9,47 kg / 20.88 lbs

R7424: 13,12 kg / 28.92 lbs

R7425: 12,14 kg / 26.76 lbs

R7434: 17,26 kg / 38.05 lbs

R7435: 16,28 kg / 35.89 lbs

R7454: 15,14 kg / 33.38 lbs

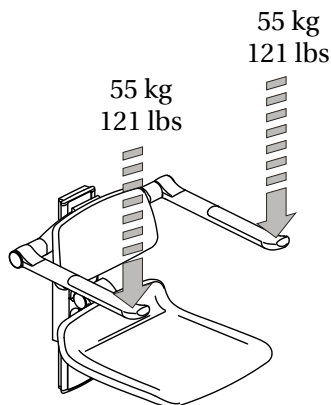
R7455: 14,16 kg / 31.22 lbs

R7464: 19,28 kg / 42.51 lbs

R7465: 18,30 kg / 40.34 lbs

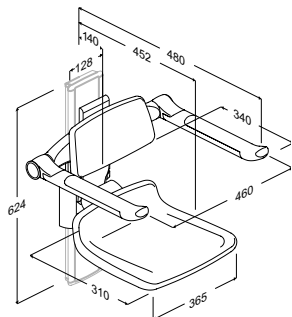


200 kg / 440 lbs

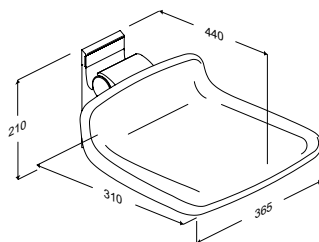


mm

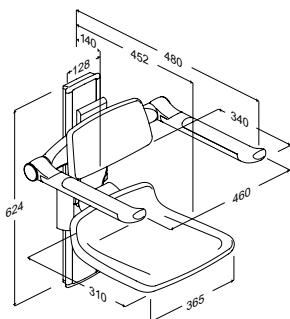
310



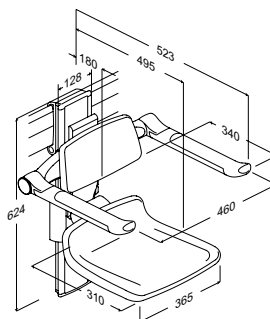
R7034



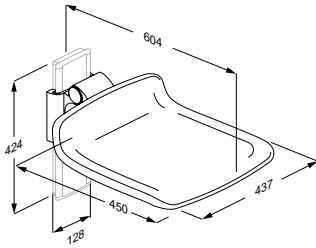
R7304



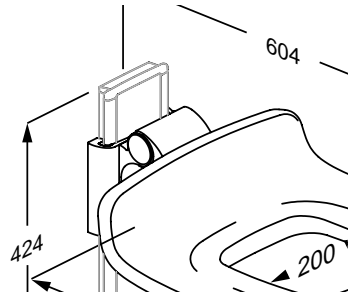
R7334



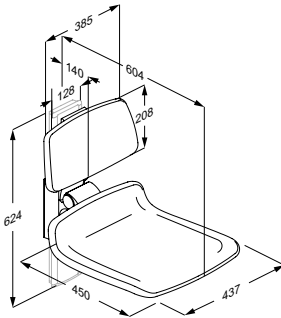
R7364



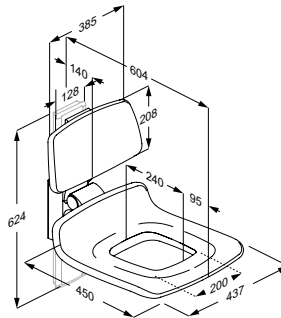
R7114



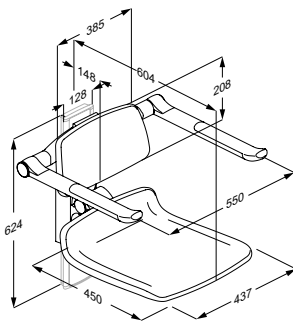
R7115



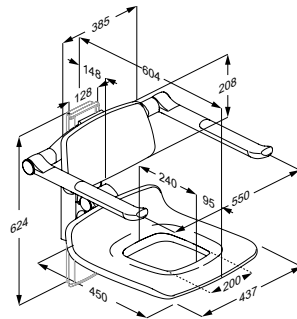
R7124



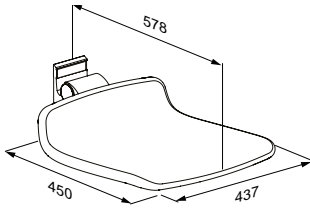
R7125



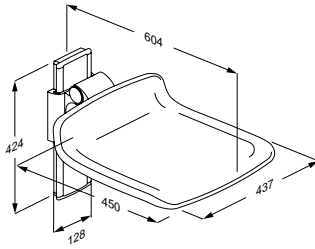
R7134



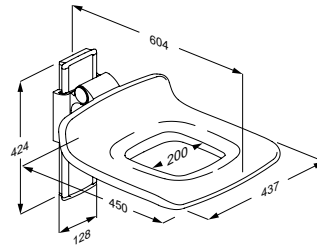
R7135



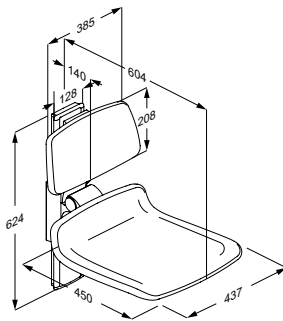
R7404



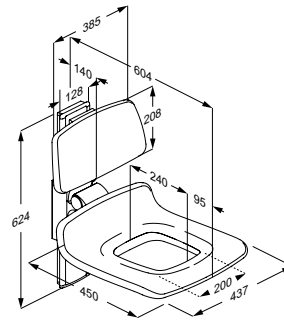
R7414



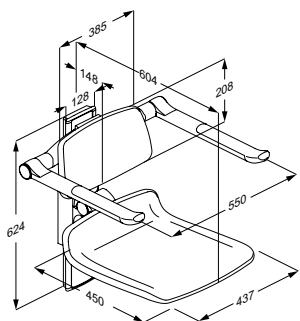
R7415



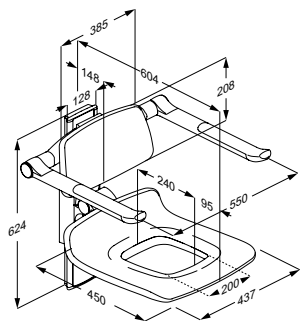
R7424



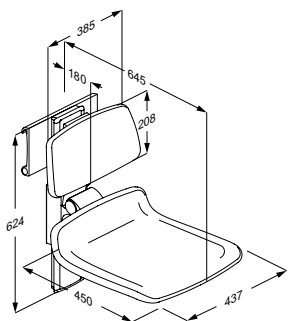
R7425



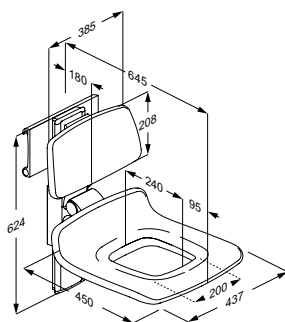
R7434



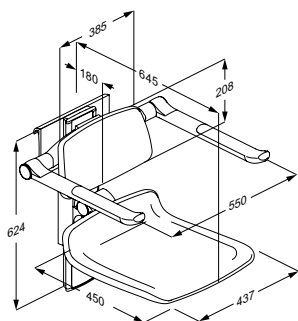
R7435



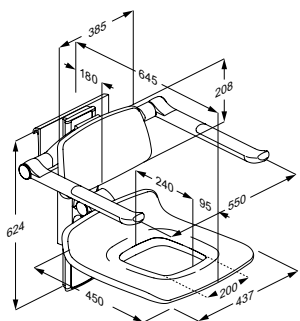
R7454



R7455

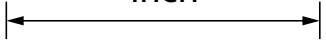


R7464

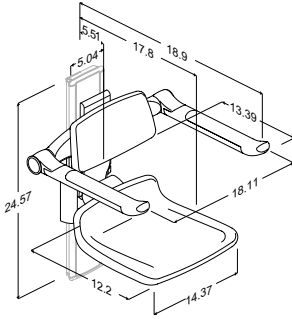


R7465

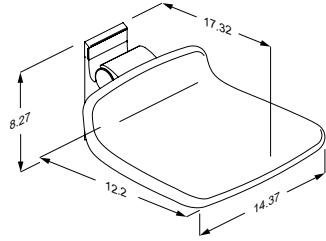
inch



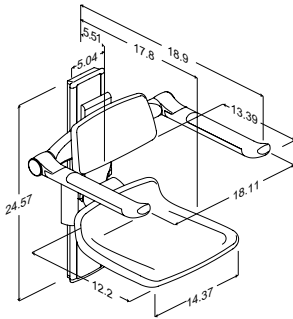
310



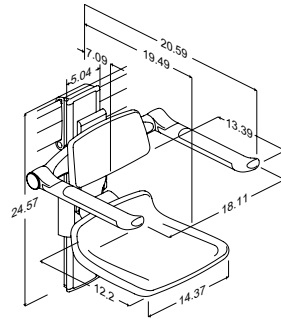
R7034



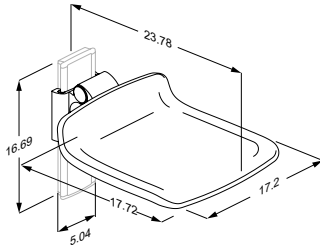
R7304



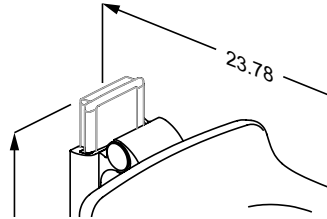
R7334



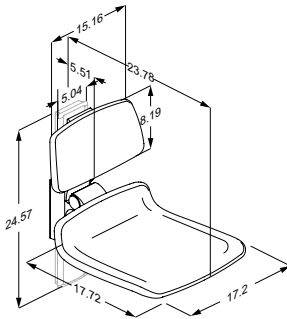
R7364



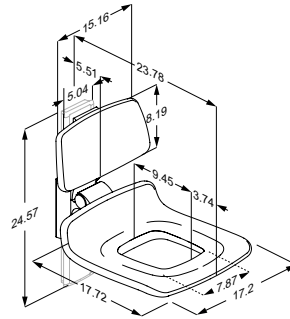
R7114



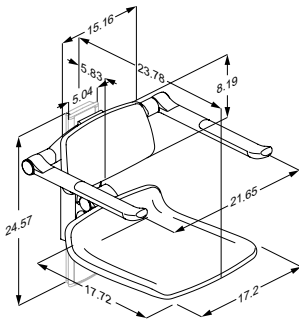
R7115



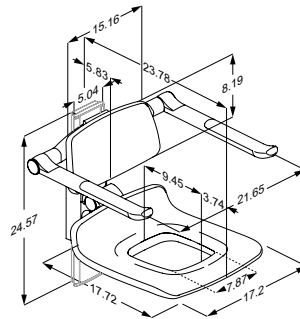
R7124



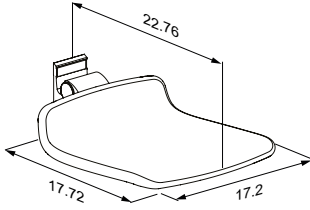
R7125



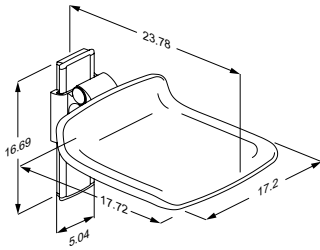
R7134



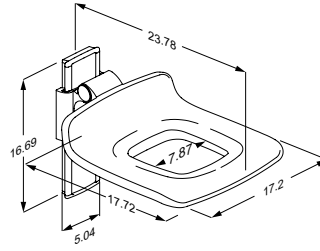
R7135



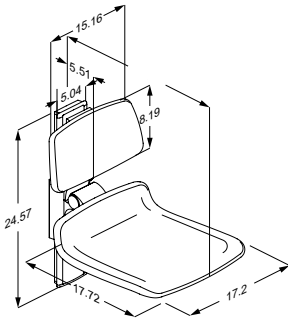
R7404



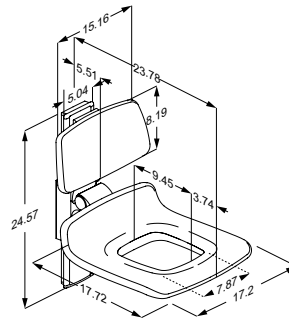
R7414



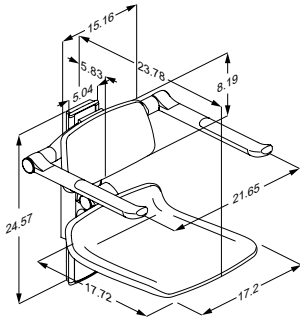
R7415



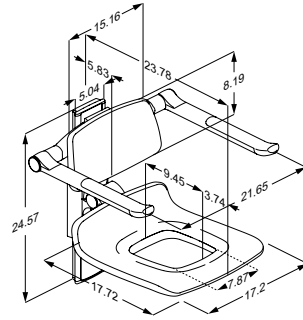
R7424



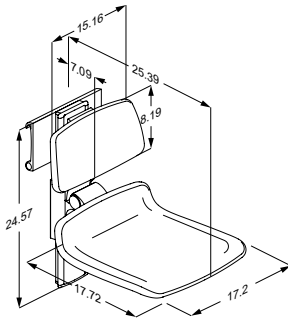
R7425



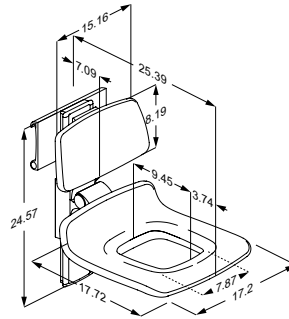
R7434



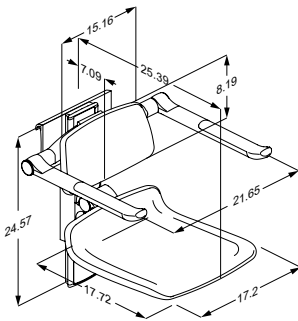
R7435



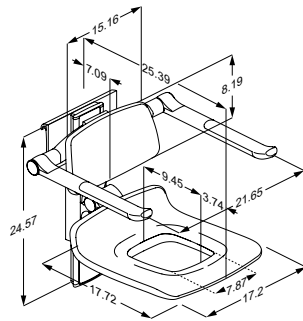
R7454



R7455



R7464



R7465

Content

Mounting instruction	14
Operational signage	14
Symbols used in this manual	15
General safety	16
Intended use	17
Intended user profile	17
Operating environment	17
Operating instructions	18
Folding the seats and armrests	18
Adjusting the seat and the backrest	19
Adjusting the armrests	20
Adjusting sideways	20
Cleaning	21
To remove limescale	21
Maintenance	22
Lubrication	22
Product label	23
Service inspection	24
Materials	24
Trouble-shooting	24
Disposal and recycling	25

Mounting instruction



A mounting instruction is included with the product. It can also be downloaded from pressalit.com.

Operational signage



An operational signage can be downloaded from pressalit.com.

Symbols used in this manual

The following symbols are used in this manual as well as the associated documentation supplied with the product.



WARNING indicates a potentially hazardous situation which, if not avoided, could result in death or serious injury.



CAUTION indicates a potentially hazardous situation which, if not avoided, may result in minor or moderate injury. It may also be used to alert against unsafe practices.



IMPORTANT indicates important information about handling and use of the product.



NOTICE is used to address practices not related to personal safety.



Hand injury warning



Article number/ versions



Product weight



Max. user weight

General safety

WARNING

- Read and understand the manual completely before use. Keep the manual close to the unit.
- Comply with this manual to avoid accidents involving serious personal injury.
- Never use or handle this product in other ways than specified in this manual, as this can put your safety at risk and cause damage to the product.
- Make sure that everyone who is to install or use the product and its systems has the necessary information and access to this manual.

CAUTION

- Please comply with these instructions to avoid the product becoming damaged or destroyed.
- Do not perform repairs, disassembly, or assembly operations, extensions, re-adjustments or modifications to this product. These must be carried out by Pressalit or by persons authorized by Pressalit only.
- Never allow children to operate this product unless under supervision. The product is not intended for play.
- Never use the product if it is defective or damaged. Do not use a defective product before it has been repaired.

NOTICE

- The information in this manual is based on correct fitting of the product in accordance with our mounting instruction.
- Pressalit cannot be held liable if the product is used in any way which differs from that described in the guide.
- We reserve the right to amend this manual without prior notice.

Intended use

The shower seat is used to sit on during showering. The armrests are intended for support when sitting and standing up from the shower seat.

Intended user profile

The 310 seat is suitable for children and small adults, while the 450 seat can carry large people. Both shower seats can be used by people whose weight does not exceed **200 kg / 440 lbs.**

The maximum vertical load for the armrests is 55 kg / 120 lbs.

Operating environment

For indoor use in a wet environment, such as a bathroom or wash room. The product is intended to be used at room temperature in private homes, nursing homes and hospitals.

NOTICE

Any serious incident that has occurred in relation to the product should be reported to the manufacturer and the health authorities.

A serious incident is defined as an incident that leads to the death of a patient, user, or any other person, or causes a temporary or permanent deterioration in the person's health. Any incident that has resulted in or has the potential to result in a serious incident must be reported.

CAUTION

The surface of the product may become hot and / or cold if exposed to external sources of heat or cold (eg sunlight or frost).

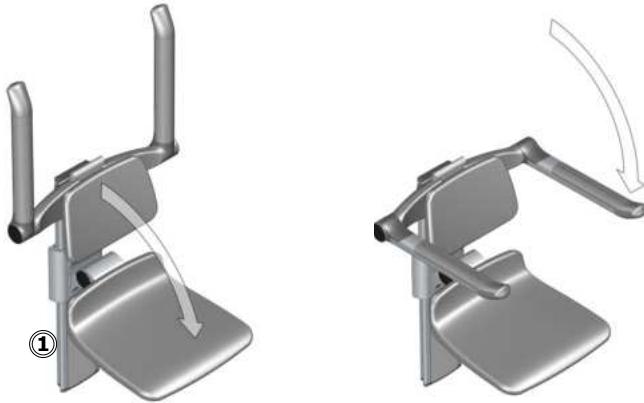
NOTICE

If the product is installed in an atmosphere heavy in salt or chloride, the warranty will be reduced from the normal 3 years to 1 year.

Salt and chloride have a corrosive effect on the products components and will cause a decrease in the life expectancy of the product. The damaging effects can, however, be reduced if the product is showered with tap water on a daily basis.

en

Operating instructions



Folding the seats and armrests

Fold the shower seat and the armrests (if fitted) fully down.

Fold it back up when not in use. You can hear a click when the shower seat and the armrests are correctly folded up.



Take care to avoid injury to hands when in the vicinity of closing moveable parts ①.

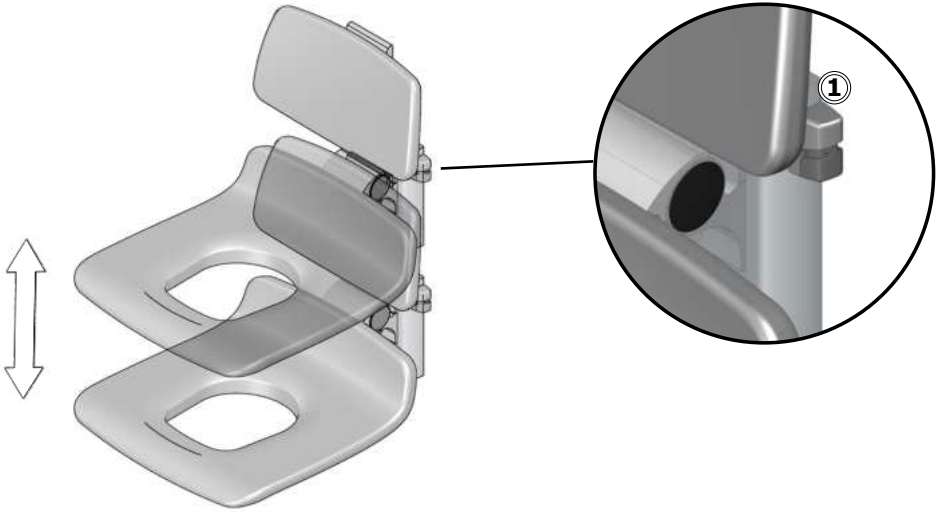


The armrests are not intended for horizontal load, e.g. as an aid for lateral transfer from a wheelchair to a shower seat.



Make sure that seat is dried off whenever it has been exposed to water.

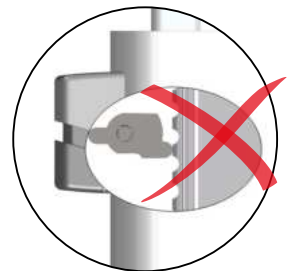
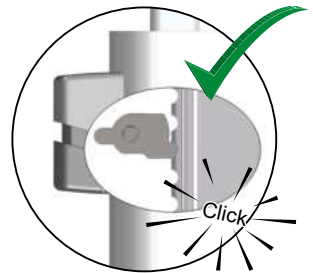
Adjusting the seat and the backrest



To adjust upwards, pull the shower seat upwards.

To adjust downwards, pinch the locking button ① and hold it closed while moving shower seat down. Release the locking button to secure the shower seat in place.

Make sure that the locking button pin is engaged in the notch.



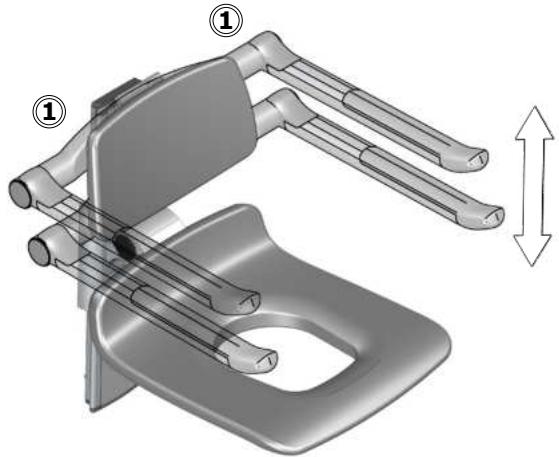
en

Adjusting the armrests

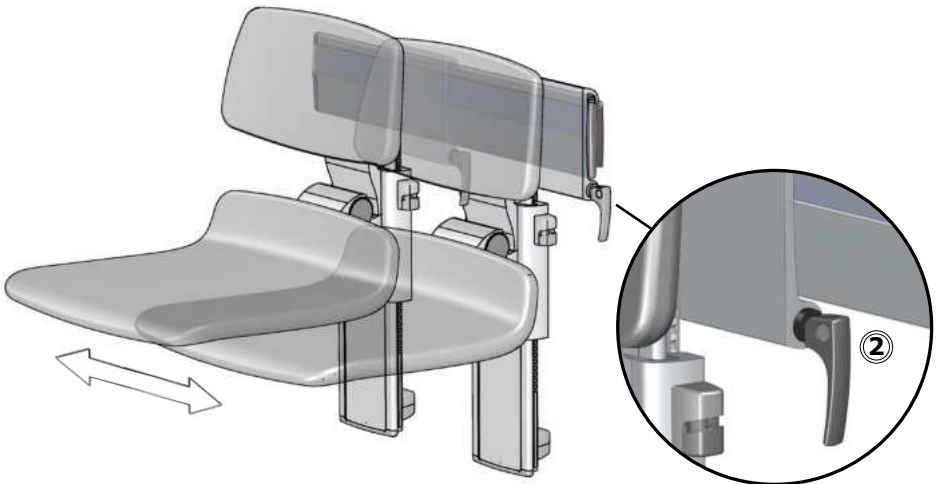
Armrests can also be adjusted independently from seat and backrest.

To adjust the armrests upwards, pull upwards at the shoulders ① until desired height is reached and a click is heard.

To adjust the armrests downwards, pull the armrests all the way to the top, then support them all the way to the lowest position, and then pull upwards again to the desired position until a click is heard.



Adjusting sideways



Release the locking handle ② and move the shower seat sideways. Tighten the locking handle again to secure the seat in place.

Cleaning

The product is to be cleaned with hot water or a mild soapy cleaning agent. To see which cleaning products have been tested and approved by Pressalit for the specific product, please visit Pressalit.com and refer to the product's item number. Pressalit recommends cleaning the product after installation.

CAUTION

Always read the material safety data sheet (MSDS) and supplied instructions of the cleaning, disinfecting or de-scaling agent and comply with instructions for safe use, dilution, rinsing, drying, handling and storage of the agent.

IMPORTANT

- Do not use an autoclave or other type of steam cleaner.
- Avoid aggressive cleaning agents containing acids.
- Never spray the product directly with a high pressure cleaner.
- Avoid use of abrasive, corrosive or chlorine-based cleaning or disinfecting products.

en

To remove limescale

To remove limescale marks on the aluminium parts, use 3 parts 30% household vinegar to 7 parts water and afterwards wipe the parts with a cloth wrung out in clean water.

In countries with relatively high levels of lime in the water supply, it may be necessary to remove limescale deposits from the aluminium parts using a de-scaling agent such as acetic acid. Test this first on a area that is not visible when the product is in use.

Maintenance



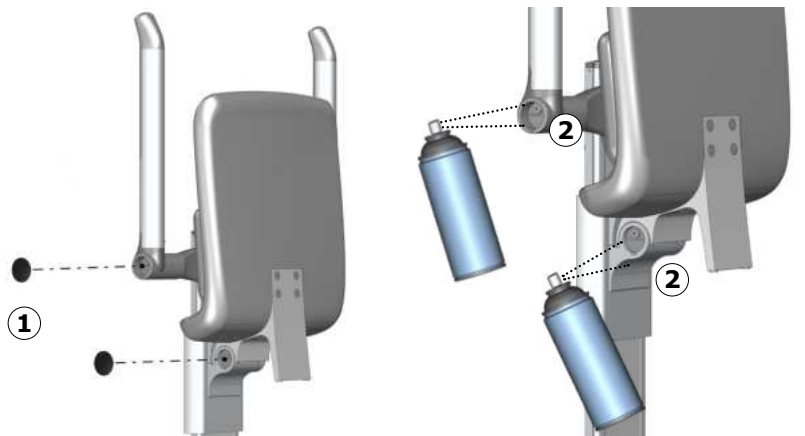
Expected service life of the shower seat is 10 years, provided that maintenance is carried out as described below:

Remove dust from the wall tracks ① on a regular basis. Wipe the wall tracks with silicone.

It is recommended on a weekly basis to adjust the product to its maximum positions and to fold the seat and armrests (if fitted) up and down.

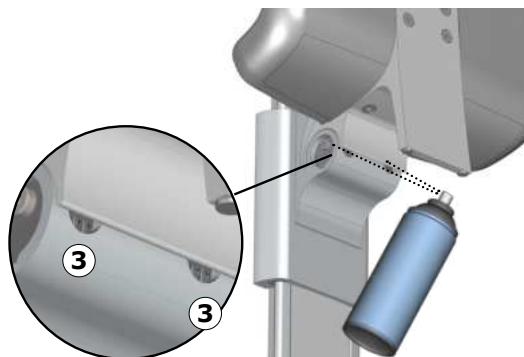
Lubrication

It is recommended to lubricate the joints of the seat and armrests once a year.

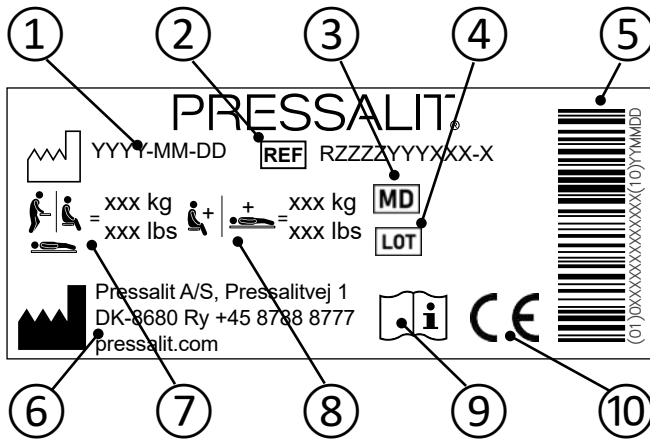


Use a screwdriver to remove the cover ① for the joints.

Lubricate the joint ② and the two joint holes ③.



Product label



① Production date

② Article number

③ Medical device

④ Batch code

⑤ GS1-128 barcode

⑥ Name and address of manufacturer

⑦ Maximum user weight

⑧ Max load

⑨ Consult manual for use

These products are CE-marked in accordance with relevant requirements in:

- ⑩
- Regulation (EU) 2017/745 (5 April 2017) on medical devices.
 - Council Directive 2006/42/EC (of 17 May 2006) on machinery.
- A declaration of conformity can be found at pressalit.com

Service inspection

Ensure that all screws and bolts are properly tightened, and check the functionality of the product.

Materials

Materials	Anodized aluminium Stainless steel Polyurethane foam ABS SEBS
-----------	---

Trouble-shooting

Symptom	Cause	Action
The product can't be moved sideways or up and down.	There might be dirt or dust on the walltracks.	Clean the walltracks and grease with silicone.
The locking handle for horizontal adjustment doesn't lock.	The lock is not properly adjusted.	See mounting instruction.
The armrests and/or the seat is difficult to fold up and down.	The joints for the seat and the armrests needs lubrication.	Lubricate the joints for the seat and the armrests as described in Lubrication .

Disposal and recycling

The unit contains reusable materials. There are no known hazards or risks associated with disposal of the product. All components can be discarded after having been cleaned and disinfected.

When disposing of the product, we recommend that it be disassembled and broken down into different waste groups for recycling or combustion.

The following table provides information on the recycling and handling of the product.

Recyclable components	Material
Aluminium	Aluminium is theoretically 100% recyclable without any loss of its natural qualities. It requires only 5% of the energy used to produce primary aluminium. The quality of recycled aluminium is so high that it can be used again and again, even in the case of anodised products as the anodised layer is a natural part of the aluminium.
Steel	Steel can be recycled by being re-melted and included as a secondary material in the production of new steel.
SEBS	Use plastic sorting and recycling systems where they are locally available, otherwise incinerating plastic has the added benefit of generating energy, which can be used for, for example, combined heat and power production.
ABS	As virgin ABS is somewhat expensive, recycling ABS is economically very attractive. Recycled ABS can be blended with virgin material to produce products with lower cost while preserving the high quality.
Polyurethane	Like other plastics, polyurethane can be recycled in two primary ways: mechanical recycling, in which the material is reused in its polymer form, and chemical recycling that takes the material back to its various chemical constituents.

en

Indhold

Monteringsvejledning.....	26
Visuel guide.....	26
Symboler, der er anvendt i denne vejledning	27
Generel sikkerhed	28
Tilsluttet brug	29
Tilsluttet brugerprofil	29
Betjeningsmiljø	29
Betjeningsinstruktioner	30
Udfoldning af sædet og armlænene	30
Justering af sædet og ryglænet	31
Justering af armlænene	32
Sidelæns justering	32
Rengøring	33
Sådan fjernes kalkaflejringer	33
Vedligeholdelse.....	34
Smøring	34
Det anbefales at smøre samlingerne på sædet og armlænene én gang om året.	34
Produktmærkning	35
Serviceinspektion.....	36
Materialer	36
Fejlfinding	36
Bortskaffelse og genbrug	37

Monteringsvejledning



Der følger en monteringsvejledning med dette produkt. Den kan også downloades fra pressalit.com.

Visuel guide



Der kan downloades en visuel guide fra pressalit.com.

Symboler, der er anvendt i denne vejledning

Følgende symboler er anvendt i denne vejledning og i den tilhørende dokumentation, der følger med produktet.



ADVARSEL angiver en potentielt farlig situation, som, hvis den ikke undgås, kan medføre dødsfald eller alvorlig personskade.



FORSIGTIG angiver en potentielt farlig situation, som, hvis den ikke undgås, kan medføre større eller mindre personskade. Det kan også bruges til at advare om usikre fremgangsmåder.



VIGTIGT angiver vigtige oplysninger om håndtering og anvendelse af produktet.



BEMÆRK vedrører fremgangsmåder, der ikke er forbundet med personlig sikkerhed.



Advarsel om håndskade



Produktnummer/-versioner



Produktvægt



Maks. brugervægt

Generel sikkerhed

ADVARSEL

- Læs og forstå hele vejledningen før brug. Opbevar vejledningen tæt på produktet.
- Følg denne vejledning for at undgå uheld og alvorlig personskade.
- Dette produkt må aldrig bruges eller håndteres på anden måde end som angivet i denne vejledning, da dette vil kunne udgøre en risiko for din sikkerhed og beskadige produktet.
- Sørg for, at alle, der installerer eller bruger dette produkt og dets systemer, har de nødvendige oplysninger samt adgang til denne vejledning.

FORSIGTIG

- Følg disse instruktioner for at undgå, at produktet beskadiges eller ødelægges.
- Der må ikke foretages reparationer, demontering, samlinger, udvidelser, tilpasninger eller ændringer på dette produkt. Dette må kun udføres af Pressalit eller af personer, som er autoriseret af Pressalit.
- Lad ikke børn betjene dette produkt uden opsyn. Produktet er ikke beregnet til leg.
- Produktet må ikke benyttes, hvis det er defekt eller beskadiget. Et defekt produkt må ikke anvendes, før det er repareret.

BEMÆRK

- Oplysningerne i denne vejledning er baseret på korrekt justering af produktet i overensstemmelse med vores monteringsvejledning.
- Pressalit kan ikke holdes ansvarlig, hvis produktet bruges på andre måder end som beskrevet i vejledningen.
- Vi forbeholder os ret til at ændre denne vejledning uden forudgående varsel.

Tilsigtet brug

Brusesædet er beregnet til at sidde på i brusebadet. Armlænene er beregnet til støtte, når man sætter sig ned på og rejser sig op fra brusesædet.

Tilsigtet brugerprofil

310-sædet er egnet til børn og små voksne, mens 450-sædet kan klare store personer. Begge brusesæder kan bruges til personer, hvis vægt ikke overstiger **200 kg**.

Den maksimale lodrette belastning for armlænene er 55 kg.

Betjeningsmiljø

Til indendørs brug i våde omgivelser, som f.eks. et badeværelse eller vaskerum. Produktet er beregnet til anvendelse ved stuetemperatur i private hjem, på plejehjem og hospitaler.

BEMÆRK

Enhver alvorlig hændelse, der opstår i relation til produktet, skal rapporteres til producenten og sundhedsmyndighederne. En alvorlig hændelse defineres som en hændelse, der medfører døden for en patient, bruger eller en anden person, eller som forårsager en midlertidig eller permanent forringelse af personens helbred. En hændelse, der medførte eller potentielt kan medføre en alvorlig hændelse, skal rapporteres.

FORSIGTIG

Produktets overflade kan blive varm og/eller kold, hvis den udsættes for eksterne varme- eller kuldekilder (f.eks. sollys eller frost).

BEMÆRK

Hvis produktet er installeret i omgivelser med salt eller klorid, reduceres garantien fra de normale 3 år til 1 år. Salt og klorid kan have en ætsende virkning på produktets komponenter og vil nedsætte produktets forventede levetid. De skadelige virkninger kan dog reduceres, hvis produktet dagligt bruses over med vand fra hanen.

da

Betjeningsinstruktioner



Udfoldning af sædet og armlænene

Fold brusesædet og armlænene (hvis de er monteret) helt ud.

Fold det op igen, når det ikke bruges. Du kan høre et klik, når brusesædet og armlænene er foldet korrekt op.



Udvis forsigtighed for at undgå skader på hænderne, når disse er i nærheden af lukkende bevægelige dele ①.



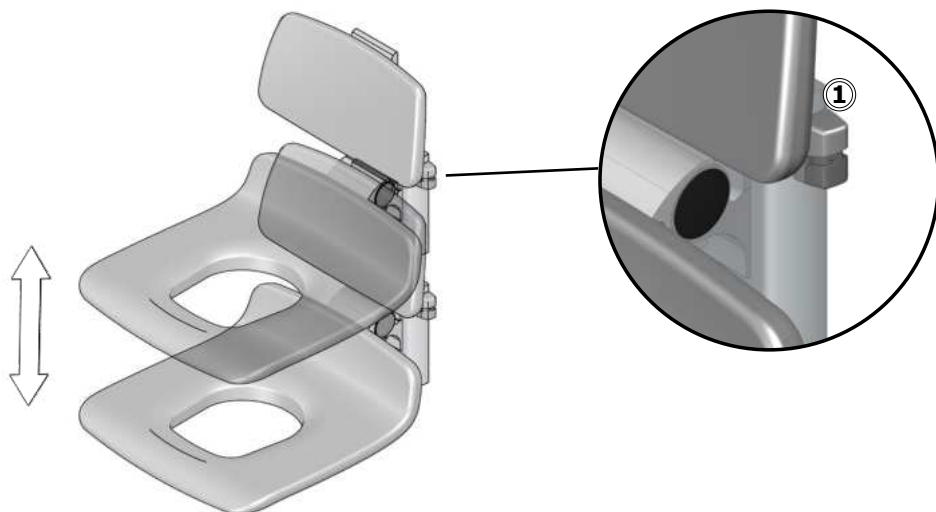
ADVARSEL

Armlænene er ikke beregnet til vandret belastning, f.eks. som en hjælp til lateral overførsel fra en kørestol til brusesædet

VIGTIGT

Sørg for at tørre sædet af, hver gang det har været udsat for vand.

Justering af sædet og ryglænet

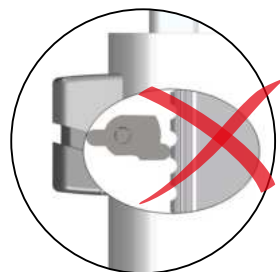
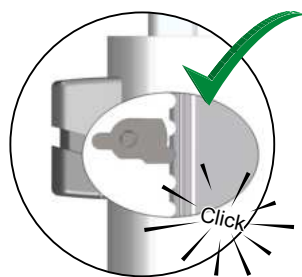


For at justere sædet opad skal du skubbe brusesædet opad.

For at justere sædet nedad skal du klemme låseknappen ① sammen og holde den lukket, mens du flytter sædet ned. Slip låseknappen for at sætte brusesædet på plads.

da

Sørg for, at låseknappens pal går i hak.

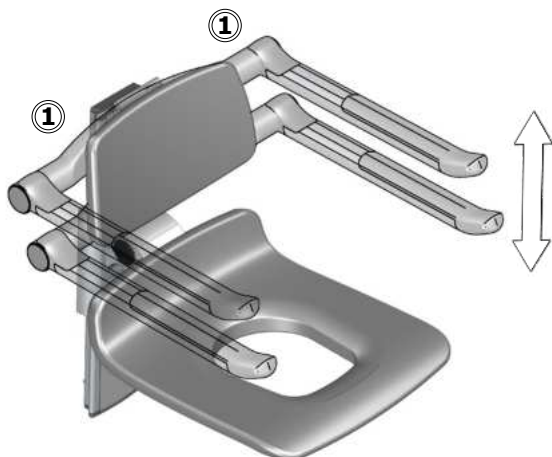


Justering af armlænene

Armlænene kan også justeres uafhængigt af sædet og ryglænet.

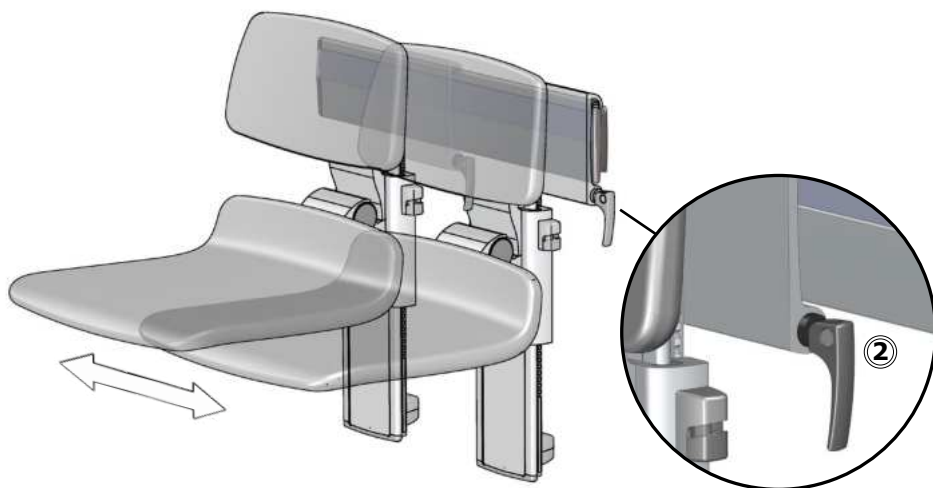
For at justere armlænene opad skal du trække opad ved skuldrene ①, indtil den ønskede højde nås, og der høres et klik.

For at justere armlænene nedad skal du trække armlænene helt op, derefter støtte dem hele vejen til den laveste position og derefter trække dem op igen, indtil du hører et klik.



Sidelæns justering

da



Slip låsehåndtaget ②, og flyt brusesædet sidelæns. Stram låsehåndtaget igen for at sætte sædet sikkert på plads.

Rengøring

Produktet skal rengøres med varmt vand eller mildt sæbevand.

For at se, hvilke rengøringsprodukter der er blevet testet og godkendt af Pressalit for det angivne produkt, skal du gå til Pressalit.com og se produktets varenummer. Pressalit anbefaler rengøring af produktet efter installation.



Læs altid sikkerhedsdatabladet (MSDS) og de instruktioner, der følger med rengørings-, desinfektions- eller afkalkningsmidlet, og følg instruktionerne for sikker brug, fortynding, skylning, tørring, håndtering og opbevaring af midlet.

VIGTIGT

- Brug ikke autoklavering eller en anden form for damprensere.
- Undgå stærke rengøringsmidler, der indeholder syre.
- Produktet må aldrig sprøjtes direkte med en højtryksrensere.
- Undgå brug af slibende, ætsende eller klorbaserede rengørings- eller desinfektionsmidler.

Sådan fjernes kalkaflejringer

For at fjerne kalkaflejringer på aluminiumsdelene skal du bruge 3 dele 30 % husholdningseddike til 7 dele vand. Herefter tørres delene med en klud, der er vredet op i rent vand.

I lande med relativt højt kalkindhold i vandforsyningen, kan det være nødvendigt at fjerne kalkaflejringer fra aluminiumsdelene ved hjælp af et afkalkningsmiddel, som f.eks. eddikesyre. Afprøv først dette på et område, der ikke er synligt, når produktet er i brug.

Vedligeholdelse



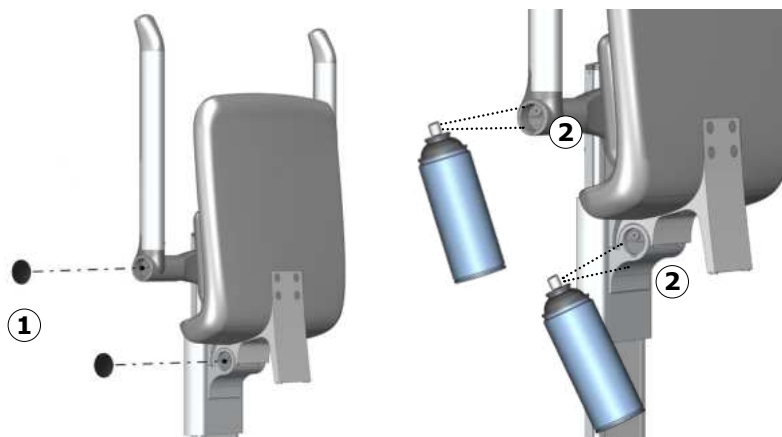
Den forventede levetid for brusesædet er 10 år, forudsat at vedligeholdelsen udføres som beskrevet nedenfor.

Fjern støv fra vægskinnerne ① regelmæssigt. Aftør vægskinnerne med silikone.

Det anbefales at justere produktet til dets maksimale positioner én gang om ugen ved at folde sædet og armlænene (hvis de er monteret) op og ned.

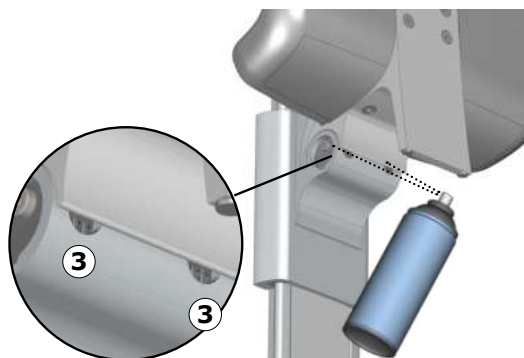
Smøring

Det anbefales at smøre samlingerne på sædet og armlænene én gang om året.

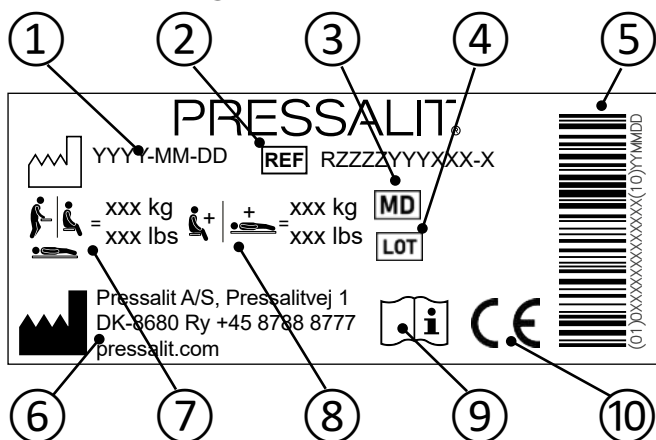


Brug en skruetrækker til at fjerne dækslet ① til samlingerne.

Smør samlingen ② og de to huller i samlingen ③.



Produktmærkning



① Fremstillingsdato

② Produktnummer

③ Medicinsk udstyr

④ Batchkode

⑤ GS1-128-stregkode

⑥ Fabrikantens navn og adresse

⑦ Maks. brugervægt

⑧ Maksimal belastning

⑨ Se brugsvejledningen

⑩ Disse produkter er CE-mærket i overensstemmelse med relevante krav i:

- Rådets forordning (EU) 2017/745 (af 5. april 2017) om medicinsk udstyr.
- Maskindirektivet 2006/42/EØF (af 17. maj 2006).

Der findes en overensstemmelseserklæring på pressalit.com

Serviceinspektion

Sørg for, at alle skruer og bolte er tilstrækkeligt strammet, og kontrollér produktets funktionalitet.

Materialer

Materialer	Anodiseret aluminium Rustfrit stål Polyuretanskum ABS SEBS
------------	--

Fejlfinding

Symptom	Årsag	Handling
Produktet kan ikke flyttes sidelæns eller op og ned.	Der kan være snavs eller støv på vægbeslagene.	Rengør vægbeslagene, og smør med silikone.
Låsehåndtaget til vandret justering kan ikke låses.	Låsen er ikke korrekt justeret.	Se monteringsinstruktionen.
Armlænene og/eller sædet er svære at folde op og ned.	Samlingerne til sædet og armlænene skal smøres.	Smør samlingerne til sædet og armlænene som beskrevet i Smøring .

da

Bortskaffelse og genbrug

Produktet indeholder genbrugelige materialer. Der er ingen kendte farer eller risici forbundet med bortskaffelse af produktet. Alle komponenter kan bortskaffes efter at være blevet rengjort og desinficeret.

Ved bortskaffelse af produktet anbefales det, at det skilles ad og inddeles i forskellige affaldsgrupper til genbrug eller forbrænding.

Følgende tabel indeholder oplysninger om genbrug og håndtering af produktet.

Genanvendelige komponenter	Materiale
Aluminium	Aluminium er i teorien 100 % genanvendeligt uden tab af dets naturlige kvaliteter. Det kræver kun 5 % af den energi, der bruges til produktion af primær aluminium. Kvaliteten af det genbrugte aluminium er så høj, at det kan bruges igen og igen, selv i tilfælde af anodiserede produkter, da det anodiserede lag er en naturlig del af aluminiummet.
Stål	Stål kan genbruges ved hjælp af omsmelting og anvendes som sekundært materiale i produktionen af nyt stål.
SEBS	Brug plastiksorтерings- og genbrugssystemer, hvis de er tilgængelige i lokalområdet, og ellers har forbrænding af plastik den ekstra fordel, at det genererer energi, hvilket kan anvendes til f.eks. en kombination af varme- og kraftproduktion.
ABS	Nyt ABS er forholdsvis dyrt, og genbrug af ABS er derfor en god økonomisk løsning. Genbrugt ABS kan blandes med nyt materiale for fremstilling af produkter med lavere omkostninger, hvor den høje kvalitet bevares.
Polyuretan	Som med andre former for plastik kan polyuretan genbruges på to måder: Mekanisk genbrug, hvor materialet genbruges i sin polymerform, og kemisk genbrug, som bringer materialet tilbage til dets forskellige kemiske bestanddele.

da

Inhalt

Montageanleitung	38
Kurzanleitung in Bildern	38
Symbole in dieser Gebrauchsanweisung	39
Allgemeine Sicherheitshinweise	40
Verwendungszweck	41
Vorgesehene Patienten	41
Betriebsbedingungen	41
Bedienungsanleitung	42
Herunter- und Hochklappen der Sitzfläche und der Armlehnen	42
Verstellen der Sitzfläche und der Rückenlehne	43
Verstellen der Armlehnen	44
Seitliches Verstellen	44
Reinigung	45
Entfernen von Kalkflecken	45
Wartung	46
Schmieren	46
Typenschild	47
Wartungsinspektion	48
Materialien	48
Fehlerbehebung	48
Entsorgung und Wiederverwertung	49

de

Montageanleitung



Dem Produkt ist eine Montageanleitung beigelegt. Diese kann auch von der Website pressalit.com heruntergeladen werden.

Kurzanleitung in Bildern



Eine Kurzanleitung in Bildern kann unter pressalit.com heruntergeladen werden.

Symbole in dieser Gebrauchsanweisung

Die folgenden Symbole werden sowohl in dieser Gebrauchsanweisung als auch in der mit dem Produkt mitgelieferten Dokumentation verwendet.



WARNUNG weist auf zu vermeidende Gefahrensituationen hin, die zum Tod oder zu schwerwiegenden Verletzungen führen können.



VORSICHT weist auf zu vermeidende Gefahrensituationen hin, die zu geringfügigen oder mittelschweren Verletzungen führen können. Es kann auch zur Warnung vor unsicheren Verfahren dienen.



WICHTIG weist auf wichtige Informationen zur Handhabung und Verwendung des Produkts hin.



HINWEIS kennzeichnet Verfahren und Informationen, ohne dass Verletzungsgefahr besteht.



Warnung:
Verletzungsgefahr für die Hände



Artikelnummer/Versionen



Gewichtangabe



Max. Gewicht des Benutzers

de

Allgemeine Sicherheitshinweise

WARNUNG

- Lesen Sie vor Verwendung des Produkts die Gebrauchsanweisung vollständig durch. Bewahren Sie die Gebrauchsanweisung in der Nähe des Produkts auf.
- Befolgen Sie diese Gebrauchsanweisung, um schwerwiegende Verletzungen zu vermeiden.
- Verwenden und handhaben Sie dieses Produkt ausschließlich wie in dieser Gebrauchsanweisung beschrieben. Anderenfalls besteht Verletzungsgefahr für den Anwender oder die Gefahr von Schäden am Produkt.
- Stellen Sie sicher, dass alle Personen, die dieses Produkt und seine Komponenten installieren oder verwenden, über die notwendigen Informationen verfügen und Zugang zu dieser Gebrauchsanweisung haben.

VORSICHT

- Befolgen Sie diese Anweisungen, um Schäden am Produkt zu vermeiden.
- Nehmen Sie keine Reparaturen, Montagen, Erweiterungen, Anpassungen oder Veränderungen am Produkt vor und zerlegen Sie es nicht. Diese Arbeiten dürfen ausschließlich von Pressalit-Mitarbeitern oder von anderen, durch Pressalit autorisierten Personen durchgeführt werden.
- Lassen Sie niemals Kinder unbeaufsichtigt dieses Produkt bedienen. Das Produkt darf nicht als Spielzeug verwendet werden.
- Verwenden Sie das Produkt niemals, wenn es defekt oder beschädigt ist. Verwenden Sie ein defektes Produkt erst wieder, nachdem es repariert wurde.

HINWEIS

- Die Informationen in dieser Gebrauchsanweisung setzen den korrekten Einbau des Produkts gemäß unserer Montageanweisung voraus.
- Pressalit haftet nicht, wenn das Produkt anders als in dieser Gebrauchsanweisung beschrieben verwendet wird.
- Änderungen vorbehalten.

Verwendungszweck

Der Duschsitz ist dazu vorgesehen, dass eine Person beim Duschen darauf sitzt. Die Armlehnen des Duschsitzes dienen als Stütze beim Hinsetzen und beim Aufstehen.

Vorgesehene Patienten

Der Duschsitz 310 eignet sich für Kinder und kleinere Erwachsene, während der Duschsitz 450 auch für größere Personen geeignet ist. Beide Duschsitze können von Personen mit einem Körpergewicht von bis zu **200 kg** verwendet werden.

Die maximale senkrechte Belastbarkeit der Armlehnen beträgt 55 kg.

Betriebsbedingungen

Zum Gebrauch in Nassräumen wie Badezimmern oder Waschräumen. Das Produkt ist bei Raumtemperatur in Privathaushalten, Pflegeeinrichtungen und Krankenhäusern vorgesehen.

HINWEIS

Jeder schwerwiegende Vorfall, der im Zusammenhang mit dem Produkt aufgetreten ist, muss dem Hersteller und den Gesundheitsbehörden gemeldet werden.

Ein schwerwiegender Vorfall ist definiert als jeder Vorfall, der zum Tod eines Patienten, Benutzers oder einer anderen Person führt, oder der eine vorübergehende oder dauerhafte Verschlechterung des Gesundheitszustands einer Person nach sich zieht. Jeder Vorfall, der zu einem schwerwiegenden Vorfall geführt hat oder dazu führen könnte, muss gemeldet werden.



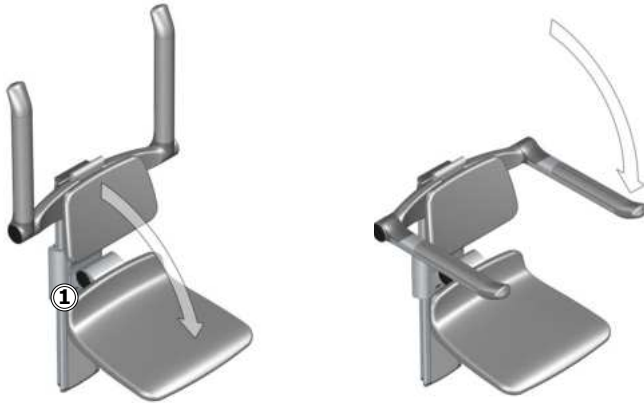
VORSICHT

Die Oberfläche des Produkts kann sich stark erhitzen bzw. abkühlen, wenn sie externen Wärme- bzw. Kältequellen ausgesetzt ist (z. B. Sonne oder Frost).

HINWEIS

Wenn das Produkt in einer Umgebung mit hohem Salz- oder Chloridgehalt der Luft installiert wird, verkürzt sich der Garantiezeitraum von 3 Jahren auf 1 Jahr. Salz und Chlorid wirken korrosiv auf die Komponenten des Produkts und verkürzen dadurch dessen Lebensdauer. Die schädliche Wirkung kann jedoch verringert werden, wenn das Gerät täglich mit Leitungswasser abgespült wird.

Bedienungsanleitung



Herunter- und Hochklappen der Sitzfläche und der Armlehnen

Klappen Sie die Sitzfläche und die Armlehnen (sofern der Duschsitz damit ausgestattet ist) vollständig herunter. Klappen Sie beides wieder hoch, wenn der Duschsitz nicht verwendet wird. Wenn die Sitzfläche und die Armlehnen korrekt herunter- bzw. hochgeklappt wurden, ist ein Klickgeräusch zu hören.



Gehen Sie in der Nähe schließender beweglicher Teile ① vorsichtig vor, da hier die Gefahr von Verletzungen der Hände besteht.

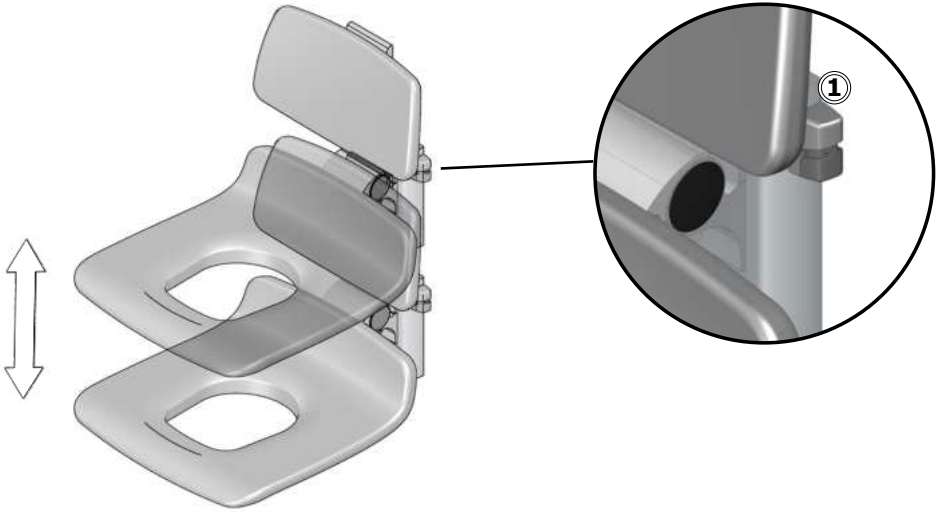
WARNUNG

Die Armlehnen dürfen keiner Seitwärtsbelastung ausgesetzt werden, wie z. B. als Stützhilfe zur Umlagerung von einem Rollstuhl auf einen Duschsitz

WICHTIG

Stellen Sie sicher, dass der Sitz jedes Mal abgetrocknet wird, nachdem er mit Wasser in Berührung gekommen ist.

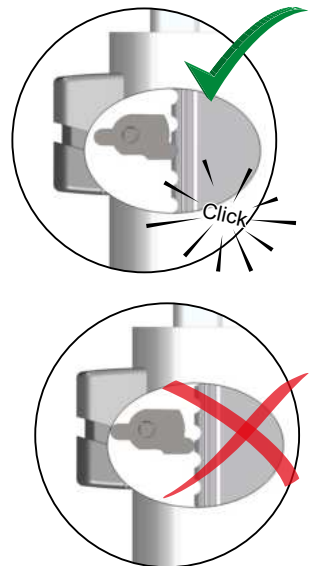
Verstellen der Sitzfläche und der Rückenlehne



Ziehen Sie den Duschsitz nach oben, um die Höhe nach oben zu verstellen.

Wenn Sie die Höhe nach unten verstellen möchten, drücken Sie die Feststelltaste ① und halten Sie sie gedrückt, während Sie den Duschsitz nach unten schieben. Lassen Sie die Feststelltaste wieder los, um den Duschsitz zu fixieren.

Stellen Sie sicher, dass die Feststelltaste in die Kerbe einrastet.



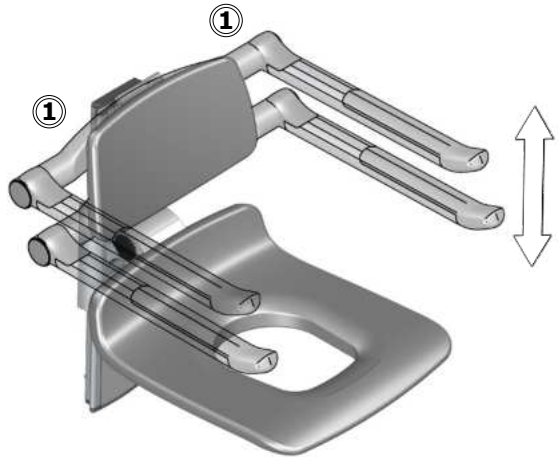
de

Verstellen der Armlehnen

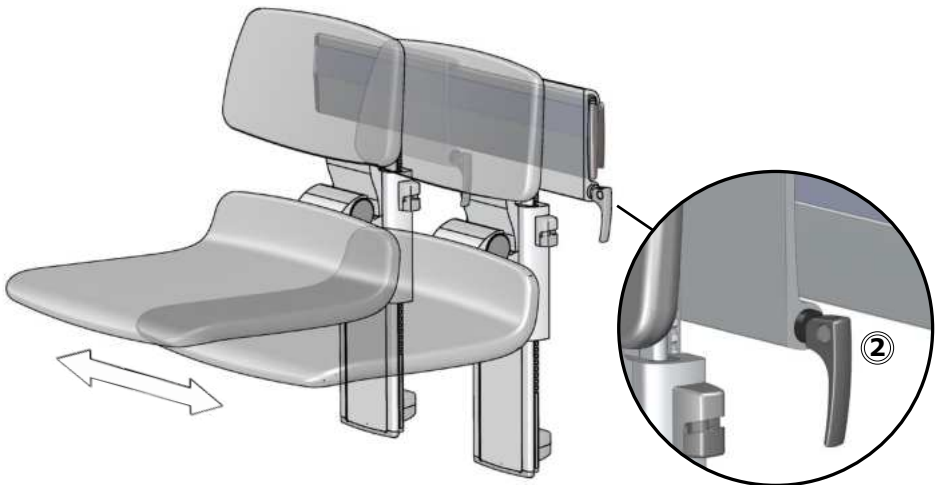
Die Armlehnen können auch unabhängig von Sitzfläche und Rückenlehne verstellt werden.

Ziehen Sie die Armlehnen zum Verstellen nach oben an den „Schultern“ ① nach oben, bis die gewünschte Höhe erreicht ist und ein Klickgeräusch zu hören ist.

Ziehen Sie die Armlehnen zum Verstellen nach unten bis ganz nach oben, senken Sie sie dann vorsichtig bis zur untersten Position ab und ziehen Sie sie anschließend nach oben, bis die gewünschte Höhe erreicht ist und ein Klickgeräusch zu hören ist.



Seitliches Verstellen



Lösen Sie den Verriegelungsknopf ② und schieben Sie den Duschsitz zur Seite. Stellen Sie den Verriegelungsknopf wieder fest, um den Sitz zu fixieren.

Reinigung

Das Produkt kann mit heißem Wasser oder einem milden Reinigungsmittel gereinigt werden. Um nachzulesen, welche Reinigungsprodukte für dieses Produkt von Pressalit getestet und freigegeben wurden, besuchen Sie die Website pressalit.com und suchen Sie nach der Artikelnummer des Produkts. Pressalit empfiehlt, das Produkt nach der Installation zu reinigen.

VORSICHT

Lesen Sie immer das Materialsicherheitsdatenblatt und die Gebrauchsanweisung des verwendeten Reinigungsmittels, Desinfektionsmittels oder Entkalkers, und befolgen Sie die Anweisungen zu sicherem Gebrauch, Verdünnung, Abspülen, Trocknen, Handhabung und Lagerung.

WICHTIG

- Verwenden Sie keinen Autoklaven oder eine andere Art von Dampfreiniger.
- Verwenden Sie keine aggressiven, säurehaltigen Reinigungsmittel.
- Richten Sie niemals einen Hochdruckreiniger direkt auf das Produkt.
- Verwenden Sie keine scheuernden, korrosiven oder chlorhaltigen Reinigungs- oder Desinfektionsmittel.

Entfernen von Kalkflecken

Entfernen Sie Kalkflecken auf den Aluminiumteilen mit einer Mischung aus 3 Teilen 30%igem Haushaltsessig und 7 Teilen Wasser. Wischen Sie die Aluminiumteile anschließend mit einem mit klarem Wasser befeuchteten, ausgewringenen Tuch ab.

In Regionen mit relativ hartem Wasser kann es erforderlich sein, Kalkablagerungen mit einem Entkalker wie Essigsäure von den Aluminiumteilen zu entfernen. Testen Sie den Entkalker zunächst an einer Stelle, die bei Gebrauch des Produkts nicht sichtbar ist.

Wartung



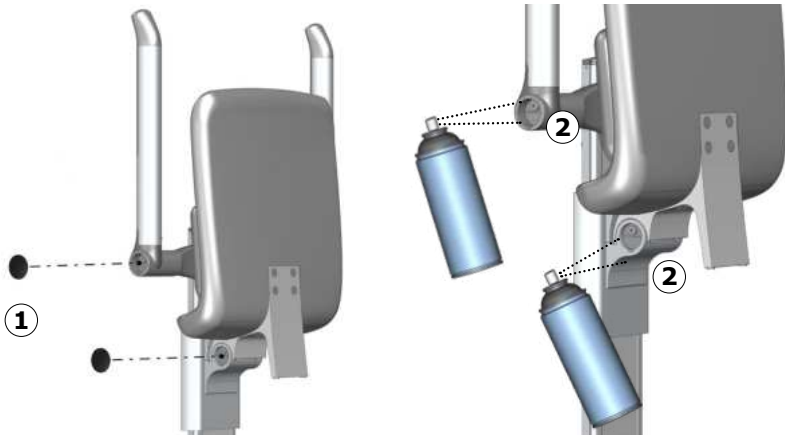
Die erwartete Nutzungsdauer des Duschsitzes beträgt 10 Jahre, wenn er wie nachstehend beschrieben gewartet wird.

Wischen Sie in regelmäßigen Abständen den Staub von der Wandschiene ①. Schmieren Sie die Wandschiene mit Silikon.

Es wird empfohlen, den Duschsitz einmal pro Woche in die höchste und die niedrigste Position zu bringen sowie die Sitzfläche und die Armlehnen (sofern vorhanden) hoch- und herunterzuklappen.

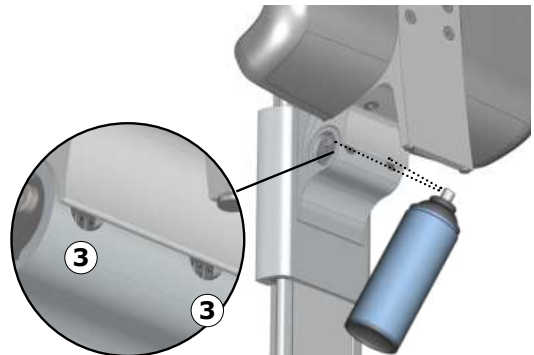
Schmieren

Es wird empfohlen, die Gelenkstücke der Sitzfläche und der Armlehnen einmal jährlich zu schmieren.

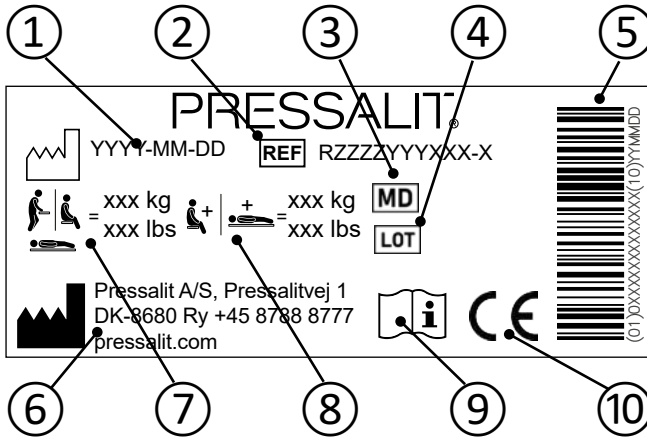


Entfernen Sie mit einem Schraubendreher die Abdeckung ① der Gelenkstücke.

Schmieren Sie das Gelenkstück ② und die beiden Gelenkstücköffnungen ③.



Typenschild



- ① Herstellungsdatum

- ② Artikelnummer

- ③ Medizinprodukt

- ④ Chargennummer

- ⑤ GS1-128-Barcode

- ⑥ Name und Anschrift des Herstellers

- ⑦ Maximales Gewicht des Anwenders

- ⑧ Maximale Belastbarkeit

- ⑨ Gebrauchsanweisung beachten.

⑩

Diese Produkte sind CE-gekennzeichnet gemäß den einschlägigen Anforderungen in:

- Verordnung (EU) 2017/745 (5 April 2017) über Medizinprodukte.
- Der Maschinenrichtlinie 2006/42/EG (17 Mai 2006).

Eine Konformitätserklärung kann unter pressalit.com eingesehen werden.

Wartungsinspektion

Stellen Sie sicher, dass alle Schrauben fest angezogen sind, und überprüfen Sie die Funktion des Produkts.

Materialien

Materialien	Aluminium mit Eloxalschicht Rostfreier Stahl Polyurethanschaum ABS SEBS
-------------	---

Fehlerbehebung

Problem	Ursache	Abhilfe
Das Produkt lässt sich nicht seitwärts oder nach oben oder unten verstellen.	Auf der Wandschiene befindet sich möglicherweise Staub oder Schmutz.	Reinigen Sie die Wandschiene und schmieren Sie sie mit Silikon.
Der Verriegelungsknopf für die horizontale Verstellung rastet nicht ein.	Die Verriegelung wurde nicht richtig eingestellt.	Montageanleitung beachten.
Die Armlehnen und/oder die Sitzfläche lassen sich nur schwer hoch- oder herunterklappen.	Die Gelenkstücke der Sitzfläche und der Armlehnen müssen geschmiert werden.	Schmieren Sie die Gelenkstücke der Sitzfläche und der Armlehnen wie unter Schmieren beschrieben.

Entsorgung und Wiederverwertung

Das Produkt enthält wiederverwertbare Materialien. Die Entsorgung des Produkts ist mit keinen bekannten Gefahren oder Risiken verbunden. Alle Komponenten können entsorgt werden, nachdem sie gereinigt und desinfiziert wurden. Wir empfehlen, das Produkt zur Entsorgung zu zerlegen und in die verschiedenen Abfallfraktionen für die Wiederverwertung oder Verbrennung zu trennen.

Die folgende Tabelle enthält weitere Angaben zur Wiederverwertung und Entsorgung des Produkts.

Wiederverwertbare Komponenten	Material
Aluminium	Aluminium ist theoretisch zu 100 % ohne Verlust seiner normalen Eigenschaften wiederverwertbar. Dazu wird nur 5 % der Energie benötigt, die zur Herstellung von Primäraluminium aufgewendet werden muss. Die Qualität von recyceltem Aluminium ist so hoch, dass es immer wiederverwendet werden kann. Dies gilt selbst für anodisierte Produkte, da die anodisierte Schicht normaler Bestandteil des Aluminiums ist.
Stahl	Stahl kann durch Einschmelzen wiederverwertet werden und als Sekundärmaterial in die Produktion von Neustahl einfließen.
SEBS	Nutzen Sie die örtlich verfügbaren Trenn- und Recyclingsysteme. Ansonsten hat die Verbrennung von Kunststoff den zusätzlichen Vorteil, dass dabei Energie erzeugt wird, die beispielsweise für die kombinierte Erzeugung von Wärme und Strom genutzt werden kann.
ABS	Da reines ABS recht teuer ist, bietet sich als preiswertere Alternative recyceltes ABS an. Zur kostengünstigen Herstellung qualitativ hochwertiger Produkte kann recyceltes ABS mit der Reinsubstanz vermischt werden.
Polyurethan	Wie andere Kunststoffe kann auch Polyurethan hauptsächlich auf zwei Arten wiederverwertet werden: durch mechanisches Recycling, bei dem das Material in seiner Polymerform wiederverwendet wird, und durch chemisches Recycling, bei dem das Material in seine verschiedenen chemischen Bestandteile zerlegt wird.

de

Sommaire

Notice de montage.....	50
Signalétique opérationnelle.....	50
Symboles utilisés dans ce manuel.....	51
Mesures de sécurité générales.....	52
Usage prévu.....	53
Profil d'utilisateur prévu.....	53
Environnement d'exploitation.....	53
Mode d'emploi.....	54
Pliage des sièges et des accoudoirs.....	54
Réglage du siège de douche et du dossier.....	55
Réglage des accoudoirs.....	56
Réglage latéral.....	56
Nettoyage.....	57
Enlever le tartre.....	57
Entretien.....	58
Lubrification.....	58
Étiquette du produit.....	59
Contrôle d'entretien.....	60
Matériaux.....	60
Dépannage.....	60
Mise au rebut et recyclage.....	61

fr

Notice de montage



Une notice de montage est incluse avec le produit. Elle est également téléchargeable sur le site pressalit.com.

Signalétique opérationnelle



Une signalétique opérationnelle est téléchargeable sur le site pressalit.com.

Symboles utilisés dans ce manuel

Les symboles qui suivent sont utilisés dans ce manuel ainsi que dans la documentation associée fournis avec le produit.



AVERTISSEMENT indique une situation potentiellement dangereuse susceptible d'entraîner la mort ou de graves blessures si elle n'est pas évitée.



ATTENTION indique une situation potentiellement dangereuse susceptible d'entraîner des blessures légères ou modérées si elle n'est pas évitée. Il peut également être utilisé pour alerter contre des pratiques dangereuses.



IMPORTANT indique des informations importantes sur la manipulation et l'utilisation du produit.



REMARQUE est utilisé pour aborder des pratiques non associées à la sécurité personnelle.



Avertissement de risque de blessure de la main



Numéro d'article / versions



Poids du produit



Poids maximal de l'utilisateur

Mesures de sécurité générales



AVERTISSEMENT

- Il est nécessaire de lire et de comprendre le manuel dans son intégralité avant d'utiliser le produit. Conserver le manuel près de l'unité.
- Respecter les instructions de ce manuel pour éviter tout accident impliquant de graves blessures corporelles.
- Ne jamais utiliser ou manipuler ce produit d'une autre manière que celle spécifiée dans ce manuel, car cela risquerait de mettre en danger votre sécurité et d'endommager le produit.
- Veiller à ce que toute personne devant installer ou utiliser le produit et ses systèmes dispose des informations nécessaires et puisse accéder à ce manuel.



ATTENTION

- Respecter ces instructions pour éviter d'endommager ou de détruire le produit.
- Ne pas procéder à des réparations, démontages, montages, extensions, réajustements ou modifications de ce produit. Ces opérations doivent être réalisées uniquement par Pressalit ou des personnes autorisées par Pressalit.
- Ne jamais permettre à des enfants d'utiliser ce produit, sauf sous surveillance. Le produit n'est pas destiné au jeu.
- Ne jamais utiliser le produit s'il est défectueux ou endommagé. Ne pas utiliser un produit défectueux avant de l'avoir fait réparer.

REMARQUE

- Les informations contenues dans ce manuel reposent sur une installation correcte du produit selon la notice de montage.
- Pressalit ne saurait être tenu responsable en cas d'utilisation du produit autre que celle décrite dans le manuel.
- Nous nous réservons le droit de modifier ce manuel sans préavis.

Usage prévu

Le siège de douche est prévu pour s'asseoir dans la douche. Les accoudoirs servent de support pour s'asseoir et se lever du siège de douche.

Profil d'utilisateur prévu

Le siège 310 convient aux enfants et aux adultes de petite taille, tandis que le siège 450 peut convenir aux personnes corpulentes. Les deux sièges conviennent à des personnes dont le poids n'excède pas **200 kg**.

Les accoudoirs supportent une charge verticale maximale de 55 kg.

Environnement d'exploitation

Pour un usage en intérieur dans un environnement humide tel qu'une salle de bain. Le produit est prévu pour être utilisé à température ambiante dans des logements privés, services hospitaliers de long séjour et hôpitaux.

REMARQUE

Tout incident grave survenu en lien avec le produit doit être signalé au fabricant et aux autorités sanitaires.

Un incident grave est défini comme un incident qui entraîne la mort d'un patient, de l'utilisateur ou de toute autre personne ou qui provoque une détérioration temporaire ou permanente de la santé de la personne. Tout incident qui a entraîné ou qui pourrait entraîner un incident grave doit être signalé.

ATTENTION

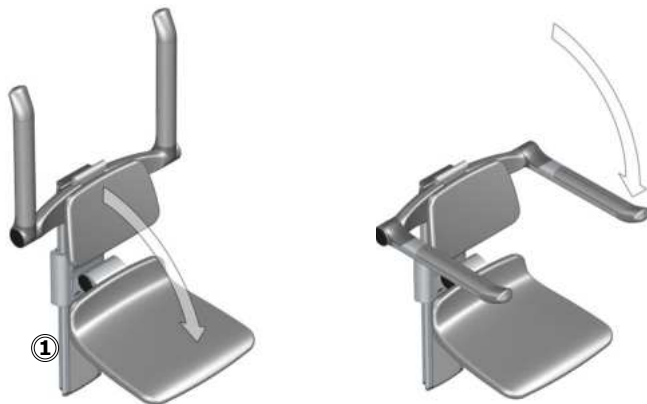
La surface du produit peut être chaude et/ou froide si elle est exposée à des sources externes de chaleur ou de froid (par exemple, le soleil ou le gel).

REMARQUE

Si le produit est installé dans un environnement chargé en sel ou en chlorure, la garantie sera réduite de 3 ans à 1 an.

Le sel et le chlorure ont un effet corrosif sur les composants du produit et diminuent la durée de vie du produit. Cependant, les effets nuisibles peuvent être réduits si le produit est lavé quotidiennement avec de l'eau du robinet.

Mode d'emploi



Pliage des sièges et des accoudoirs

Dépliez complètement le siège de douche et les accoudoirs (si disponibles).

Repliez-les lorsqu'ils ne sont pas utilisés. Vous pouvez entendre un déclic lorsque le siège de douche et les accoudoirs sont correctement repliés.



Attention au risque de blessure aux mains à proximité de pièces mobiles se fermant ①.



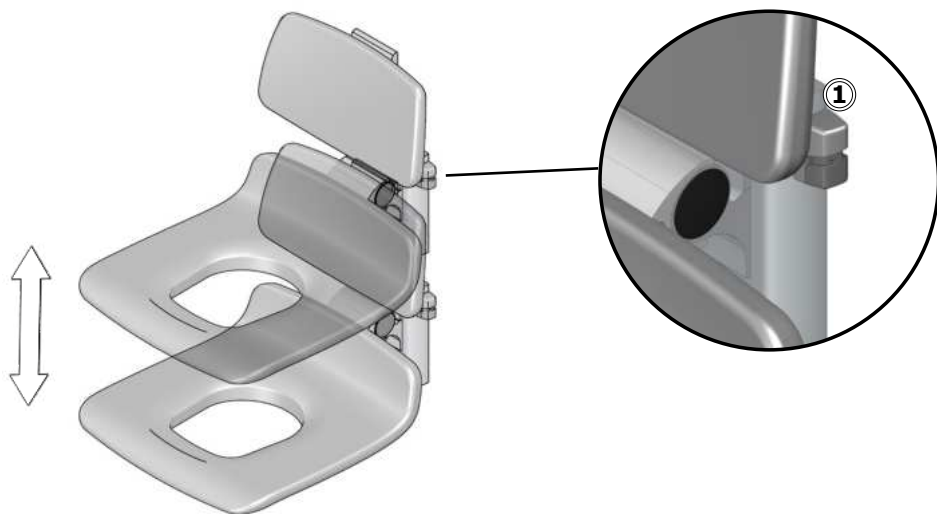
AVERTISSEMENT

Les accoudoirs ne sont pas destinés à supporter une charge horizontale, par ex. en tant que support pour le transfert latéral d'un fauteuil roulant vers un siège de douche.

IMPORTANT

Assurez-vous que le siège est sec après avoir été exposé à l'eau.

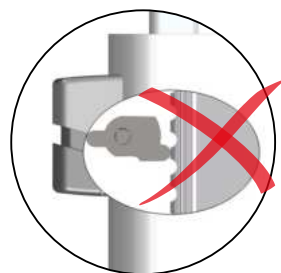
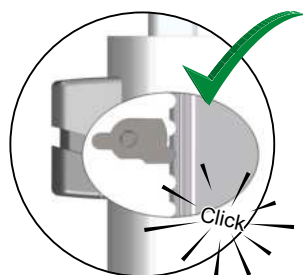
Réglage du siège de douche et du dossier



Pour relever le siège de douche, tirez-le vers le haut.

Pour abaisser le siège de douche, pincez le bouton de verrouillage ① et maintenez-le fermé tout en déplaçant le siège de douche vers le bas. Relâchez le bouton de verrouillage pour bloquer le siège de douche.

Assurez-vous que la tige du bouton de verrouillage est bien engagée dans le cran.



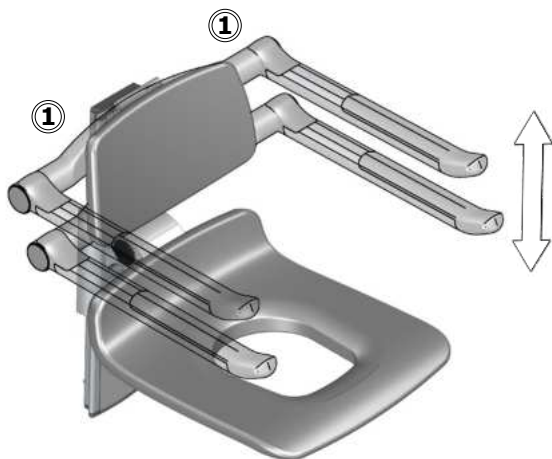
fr

Réglage des accoudoirs

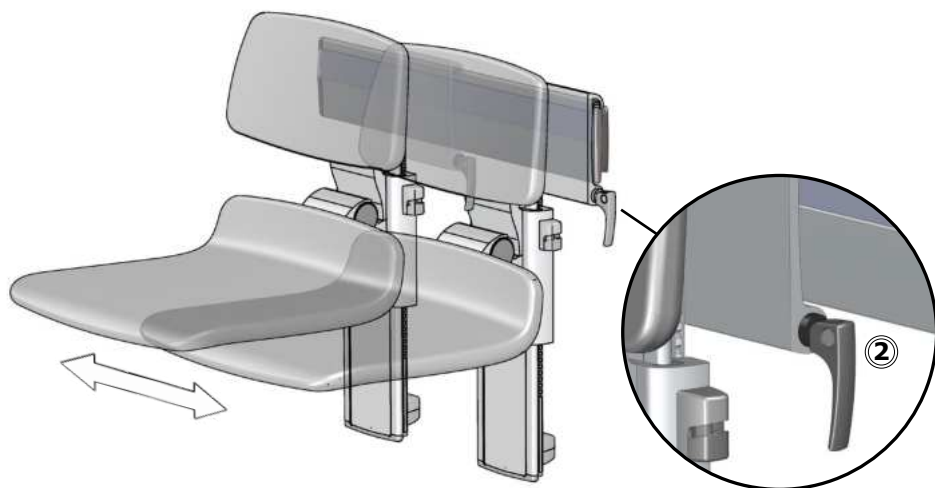
Les accoudoirs peuvent également être réglés indépendamment du siège et du dossier.

Pour lever les accoudoirs, tirez vers le haut au niveau des épaules ① jusqu'à atteindre la hauteur souhaitée et entendre un déclic.

Pour abaisser les accoudoirs, tirez-les jusqu'en haut puis faites-les descendre le plus bas possible. Tirez à nouveau vers le haut jusqu'à atteindre la position souhaitée et entendre le déclic.



Réglage latéral



Relâchez la poignée de verrouillage ② et déplacez le siège de douche de manière latérale. Serrez la poignée de verrouillage pour bloquer le siège.

Nettoyage

Le produit doit être nettoyé à l'aide d'eau chaude ou d'un agent nettoyant légèrement savonneux. Pour consulter les produits de nettoyage testés et approuvés par Pressalit pour le produit spécifique, veuillez visiter le site Pressalit.com et référez-vous au numéro d'article du produit. Pressalit recommande un nettoyage du produit après son installation.



Toujours lire les fiches techniques de sécurité du matériel et les notices fournies de l'agent de nettoyage, de désinfection ou de détartrage, et respecter les instructions relatives à l'utilisation sécurisée, la dilution, le rinçage, le séchage, la manipulation et le stockage de l'agent.

IMPORTANT

- Ne pas utiliser d'autoclave ou tout autre type de nettoyeur à vapeur.
- Éviter les agents de nettoyage agressifs contenant des acides.
- Ne jamais asperger le produit directement à l'aide d'un nettoyeur haute pression.
- Éviter d'utiliser des produits de nettoyage ou de désinfection abrasifs, corrosifs ou à base de chlore.

Enlever le tartre

Pour enlever les marques de tartre sur les pièces en aluminium, utilisez 3 parts de vinaigre blanc à 30 % pour 7 parts d'eau, puis essuyez les pièces à l'aide d'un chiffon trempé dans de l'eau claire et essoré.

Dans les pays dont l'alimentation en eau présente des niveaux de tartre relativement élevés, il peut s'avérer nécessaire d'enlever les dépôts de tartre des pièces en aluminium à l'aide d'un agent de détartrage comme l'acide acétique. Faites d'abord un essai sur une zone non visible lorsque le produit est utilisé.

Entretien



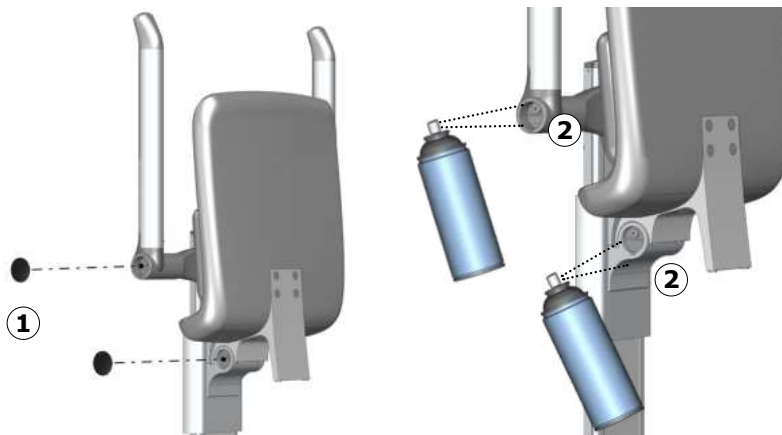
La durée de vie prévue du siège de douche est de 10 ans, à condition que l'entretien soit effectué comme décrit ci-dessous :

Retirez régulièrement la poussière des glissières support ①. Essuyez les glissières support à l'aide de silicone.

Il est recommandé de régler le produit aux positions maximales ainsi que de déplier et de replier le siège et les accoudoirs (si disponibles) chaque semaine.

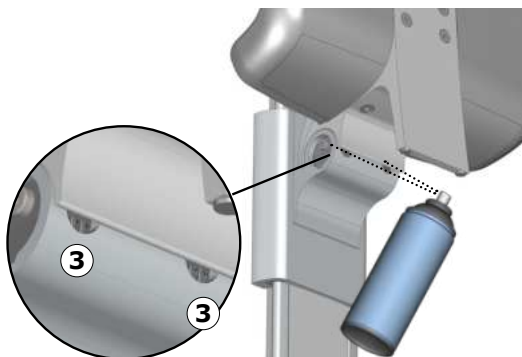
Lubrification

Il est recommandé de lubrifier les joints du siège et des accoudoirs une fois par an.

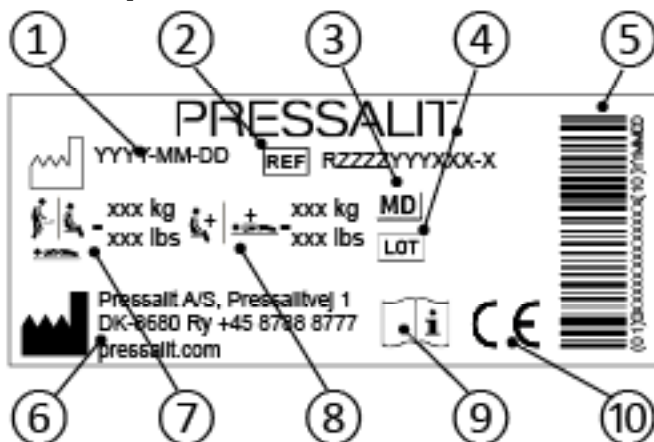


À l'aide d'un tournevis, retirez le couvercle ① de chaque joint.

Lubrifiez le joint ② et les deux trous du joint ③.



Étiquette du produit



- ① Date de fabrication

- ② Numéro d'article

- ③ Dispositif médical

- ④ Code du lot

- ⑤ Code-barres GS1-128

- ⑥ Nom et adresse du fabricant

- ⑦ Poids maximal de l'utilisateur

- ⑧ Charge maximale

- ⑨ Consulter le manuel d'utilisation

Ces produits sont marqués CE conformément aux exigences pertinentes de :

- ⑩
 - Règlement (UE) 2017/745 relatif (du 5 avril 2017) aux dispositifs médicaux.
 - La directive 2006/42/CE du Conseil (du 17 mai 2006) sur les mécanismes.

Une déclaration de conformité est disponible sur pressalit.com

Contrôle d'entretien

Assurez-vous que tous les boulons et vis sont bien serrés. Vérifiez également la mobilité du produit.

Matériaux

Matériaux	Aluminium anodisé Acier inoxydable Mousse de polyuréthane ABS SEBS
-----------	--

Dépannage

Problème	Cause	Mesure
Le produit ne peut être déplacé de manière verticale ou horizontale.	Présence éventuelle de saleté ou de poussière sur les glissières support.	Nettoyez les glissières murales et lubrifiez à l'aide de silicone.
La poignée de verrouillage pour le réglage horizontal ne fonctionne pas.	Le verrou n'est pas réglé correctement.	Référez-vous à la notice de montage.
Les accoudoirs et/ou le siège se plient et se déplient difficilement.	Les joints du siège et des accoudoirs doivent être lubrifiés.	Lubrifiez les joints du siège et des accoudoirs comme indiqué dans la section Lubrification .

Mise au rebut et recyclage

L'unité contient des matériaux réutilisables. Il n'y a aucun risque connu associé à la mise au rebut du produit. Tous les composants peuvent être mis au rebut après avoir été nettoyés et désinfectés.

Lors de la mise au rebut du produit, nous recommandons de le démonter et de le décomposer en différents groupes de déchets en vue de leur recyclage ou incinération.

Le tableau suivant fournit des informations sur le recyclage et la manipulation du produit.

Composants recyclables	Matériau
Aluminium	En théorie, l'aluminium est 100 % recyclable, sans aucune perte de ses qualités naturelles. Seuls 5 % de l'énergie utilisée pour produire de l'aluminium primaire sont nécessaires pour l'aluminium recyclé. La qualité de l'aluminium recyclé est tellement élevée qu'il peut sans cesse être réutilisé, même dans le cas de produits anodisés car la couche anodisée est un composant naturel de l'aluminium.
Acier	L'acier peut être recyclé en étant refondu et inclus en tant que matériau secondaire dans la production d'acier nouveau.
SEBS	Utilisez les systèmes de tri et de recyclage du plastique disponibles localement. Sinon, l'incinération du plastique présente l'avantage de générer de l'énergie qui peut être utilisée, par exemple, pour la production combinée de chaleur et d'électricité.
ABS	L'ABS vierge étant assez coûteux, le recyclage de l'ABS représente un atout économique important. L'ABS recyclé peut être mélangé à des matériaux vierges, ce qui permet de réduire les coûts tout en préservant une qualité élevée.
Polyuréthane	Comme les autres plastiques, le polyuréthane peut être recyclé de deux manières principales : le recyclage mécanique dans lequel le matériau est réutilisé dans sa forme polymère, et le recyclage chimique qui redécompose le matériau en ses divers composants chimiques.

Inhoud

Montage-instructies	62
Visuele handleiding	62
Symbolen in deze handleiding	63
Algemene veiligheid	64
Beoogd gebruik	65
Profiel van beoogde gebruiker	65
Gebruiksomgeving	65
Gebruiksaanwijzingen	66
Omhoog en omlaag klappen van het zitje en de armleuningen	66
Het zitje en de rugleuning afstellen	67
Armleuningen afstellen	68
Horizontaal afstellen	68
Reinigen	69
Kalkafzetting verwijderen	69
Onderhoud	70
Smearing	70
Productlabel	71
Onderhoudsinspectie	72
Materialen	72
Probleemoplossing	72
Afvoer en recycling	73

nl

Montage-instructies



Er worden montage-instructies met dit product meegeleverd.
U kunt deze ook via pressalit.com downloaden.

Visuele handleiding



De visuele handleiding voor dit product kan worden gedownload
vanaf pressalit.com.

Symbolen in deze handleiding

De volgende symbolen worden gebruikt in deze handleiding en de bijbehorende documentatie die met het product is meegeleverd.

WAARSCHUWING

WAARSCHUWING geeft een mogelijk gevaarlijke situatie aan die, indien niet vermeden, kan leiden tot overlijden of ernstig letsel.

LET OP

LET OP geeft een mogelijk gevaarlijke situatie aan die, indien niet vermeden, kan leiden tot licht of matig letsel. 'Let op' kan ook worden gebruikt om de gebruiker te waarschuwen voor onveilige praktijken.

BELANGRIJK

BELANGRIJK geeft belangrijke informatie aan over het hanteren en gebruiken van het product.

OPMERKING

OPMERKING wordt gebruikt om praktijken aan te duiden die geen betrekking hebben op de persoonlijke veiligheid.



Waarschuwing voor handletsel



Artikelnummer/-uitvoeringen



Gewicht van product



Max. gewicht gebruiker

Algemene veiligheid



WAARSCHUWING

- Lees de handleiding vóór gebruik volledig door en zorg dat u deze begrijpt. Houd de handleiding in de buurt van de eenheid.
- Houd u aan deze handleiding om ongelukken met ernstig persoonlijk letsel te voorkomen.
- Gebruik of hanteer dit product nooit op een andere manier dan in deze handleiding staat beschreven, omdat dit uw veiligheid in gevaar kan brengen en schade aan het product kan veroorzaken.
- Zorg ervoor dat iedereen die het product en de bijbehorende systemen gaat plaatsen of gebruiken, is voorzien van de benodigde informatie en toegang heeft tot deze handleiding.



LET OP

- Volg deze instructies op om te voorkomen dat het product wordt beschadigd of vernietigd.
- Voer geen reparaties, (de)montagewerkzaamheden, uitbreidingen, afstellingen of aanpassingen uit met betrekking tot dit product. Deze werkzaamheden mogen uitsluitend worden uitgevoerd door Pressalit of door personen die door Pressalit zijn gemachtigd.
- Kinderen mogen nooit zonder toezicht dit product bedienen. Dit product is geen speelgoed.
- Gebruik dit product nooit als het defect of beschadigd is. Gebruik het product niet voordat het is gerepareerd.

OPMERKING

- De informatie in deze handleiding is gebaseerd op een juiste passing van het product conform onze montage-instructies.
- Pressalit is niet aansprakelijk wanneer het product wordt gebruikt op een manier die afwijkt van de in de gids beschreven manier.
- We behouden ons het recht voor deze handleiding aan te passen zonder voorafgaande kennisgeving.

Beoogd gebruik

Het douchezitje is bedoeld om op te zitten tijdens het douchen.

De armleuningen zijn bedoeld voor ondersteuning bij het gaan zitten op en gaan staan van het douchezitje.

Profiel van beoogde gebruiker

Het 310-zitje is geschikt voor kinderen en kleine volwassenen, terwijl het 450-zitje grotere personen kan dragen. Beide douchezitjes kunnen worden gebruikt door personen met een lichaamsgewicht van maximaal **200 kg**.

De maximale verticale belasting voor armleuningen bedraagt 55 kg.

Gebruiksomgeving

Voor gebruik binnenshuis in een natte omgeving, zoals een badkamer of wasruimte. Het product is bedoeld om bij kamertemperatuur te worden gebruikt, in woningen, verpleeghuizen en ziekenhuizen.

OPMERKING

Ieder serieus incident dat heeft plaats gevonden in relatie tot het product dient te worden gemeld aan de fabrikant en de gezondheidskundige autoriteiten.

Een serieus incident is een incident dat leidt tot overlijden van een patiënt, gebruiker of elk ander persoon, of dat leidt tot een tijdelijke of permanente aantasting aan de gezondheid van de betreffende persoon. Elk incident dat heeft geresulteerd in of zou kunnen resulteren in een serieus incident moet worden gemeld.



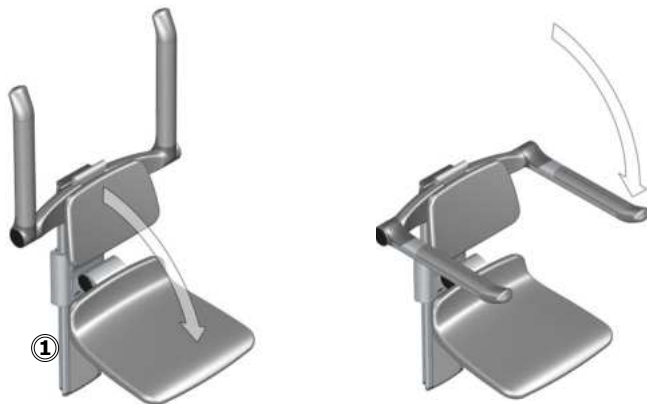
LET OP

Het oppervlak van het product kan heet en/of koud worden als het wordt blootgesteld aan externe warmte- of koudebronnen als zonlicht of vorst.

OPMERKING

Als het product wordt geplaatst in een atmosfeer met een hoog zout- of chloridegehalte, wordt de garantie verkort van de normale 3 jaar tot 1 jaar. Zout en chloride hebben een corrosief effect op de onderdelen van het product en verminderen de levensduur ervan. De schadelijke effecten kunnen echter worden verminderd als het product dagelijks wordt afgespoeld met kraanwater.

Gebruiksaanwijzingen



Omhoog en omlaag klappen van het zitje en de armleuningen

Klap het douchezitje en de armleuningen (indien aanwezig) volledig omlaag.

Klap het zitje terug omhoog wanneer dit niet wordt gebruikt. U hoort een klik wanneer het douchezitje en de armleuningen op de juiste wijze zijn ingeklapt.



Wees voorzichtig om letsel aan uw handen te voorkomen wanneer u zich in de buurt bevindt van bewegende onderdelen ①.



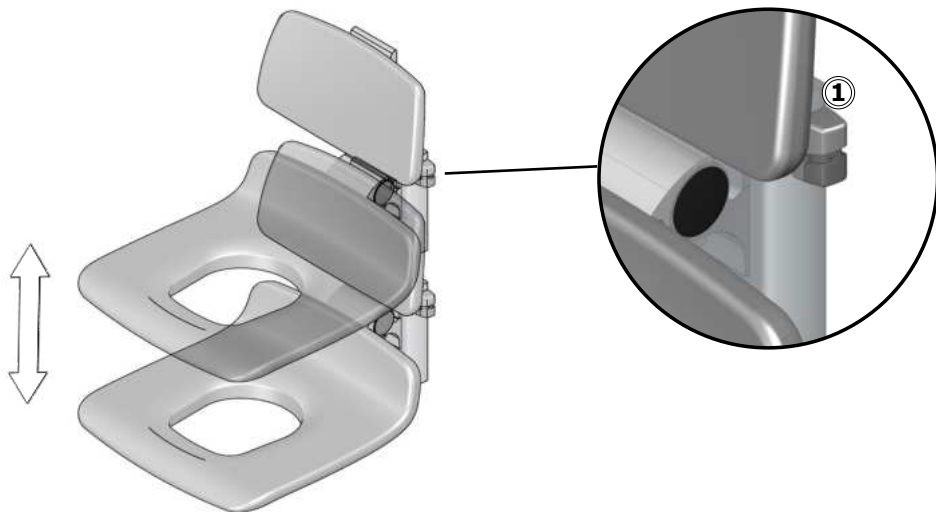
WAARSCHUWING

De armleuningen zijn niet bedoeld voor horizontale belasting, bijv. als hulp voor laterale overdracht van een rolstoel naar een douchezitje.

BELANGRIJK

Zorg ervoor dat het zitje droog wordt gemaakt nadat het is blootgesteld aan water.

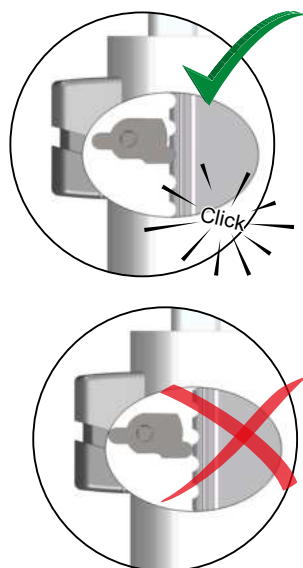
Het zitje en de rugleuning afstellen



Trek het douchezitje omhoog om het omhoog te verplaatsen.

Druk op de vergrendelingsknop ① en houd deze ingedrukt terwijl u het douchezitje omlaag duwt. Laat de vergrendelingsknop los om het douchezitje op zijn plaats vast te zetten.

Zorg ervoor dat de pen van de vergrendelingsknop in de inkeping is geplaatst.

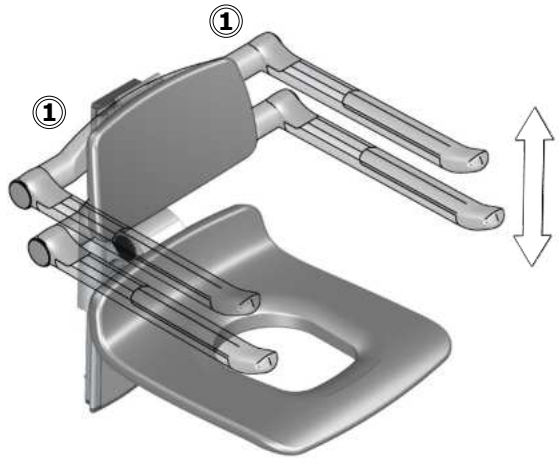


nl

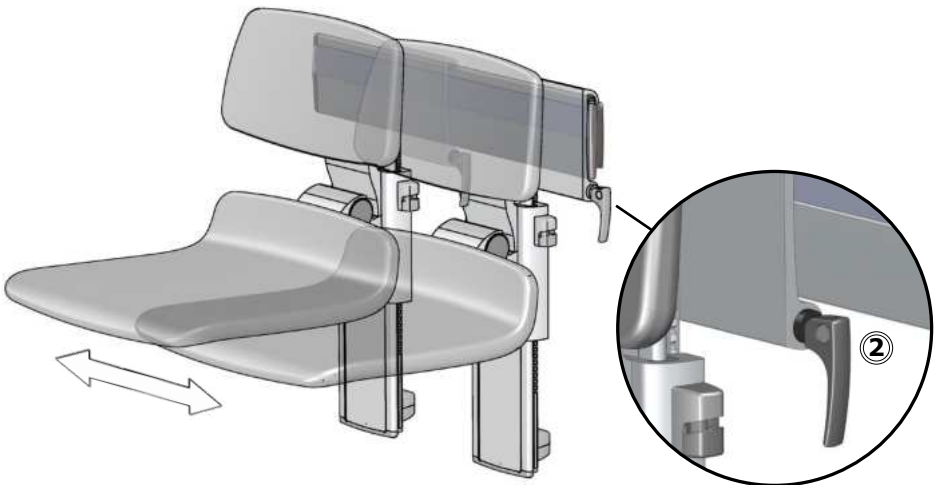
Armleuningen afstellen

Armleuningen kunnen ook afzonderlijk van zitting en rugleuning worden afgesteld.

Als u de armleuningen omhoog wilt afstellen, trekt u deze bij het scharnierpunt ① omhoog tot de gewenste hoogte is bereikt en u een klik hoort. Als u de armleuningen omlaag wilt afstellen, trekt u de armleuningen naar het hoogste punt en ondersteunt u deze vervolgens terwijl u ze naar de laagste stand brengt. Vervolgens trekt u de leuningen weer omhoog naar de gewenste stand, tot u een klik hoort.



Horizontaal afstellen



Laat de vergrendelingshendel ② los en verplaats het douchezitje horizontaal. Zet de vergrendelingshendel weer vast om het zitje op zijn plaats vast te zetten.

Reinigen

Het product dient met warm water of een mild reinigingsmiddel te worden gereinigd. Om te zien welke reinigingsmiddelen zijn getest en goedgekeurd door Pressalit voor het specifieke product, gaat u naar Pressalit.com en raadpleegt u het artikelnummer van het product.

Pressalit raadt aan om het product te reinigen na installatie.



LET OP

Lees altijd het veiligheidsinformatieblad (MSDS) en de geleverde instructies voor het reinigings-, desinfectie- of ontkalkingsmiddel en volg alle instructies voor veilig gebruik, verdunnen, spoelen, drogen, hanteren en opslag van het middel op.

BELANGRIJK

- Gebruik geen autoclaaf of een andere stoomreiniger.
- Vermijd het gebruik van agressieve reinigingsmiddelen die zuur bevatten.
- Spuit nooit rechtstreeks met een hogedrukspuit op het product.
- Vermijd het gebruik van schurende of bijtende reinigings- of desinfectieproducten of reinigings- of desinfectieproducten op basis van chloor.

nl

Kalkafzetting verwijderen

Gebruik 3 delen schoonmaakazijn (30%) en 7 delen water om kalkafzetting op de aluminium delen te verwijderen en veeg de onderdelen daarna af met een doek die in schoon water is uitgewrongen.

In landen met relatief hard water kan het nodig zijn om kalkafzettingen van aluminium onderdelen te verwijderen met een ontkalkingsmiddel, zoals azijnzuur. Test het product eerst op een deel dat niet zichtbaar is wanneer het product in gebruik is.

Onderhoud



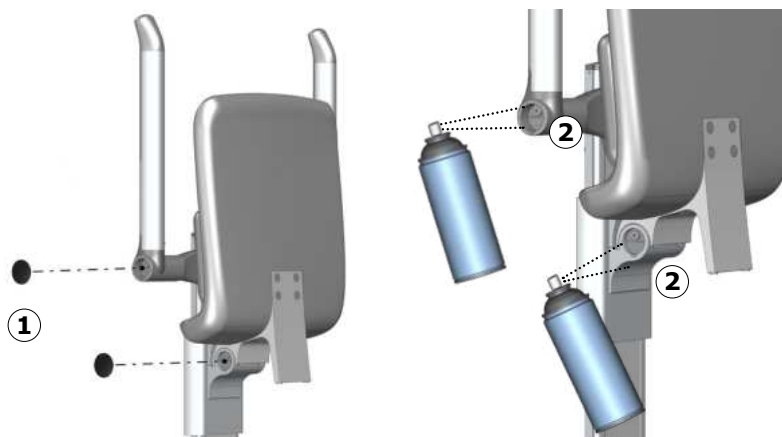
De verwachte levensduur van het douchezitje is 10 jaar, op voorwaarde dat onderhoud wordt uitgevoerd zoals hieronder beschreven:

Verwijder regelmatig stof van de rail ①. Smeer de rail in met silicone.

Het wordt aanbevolen het product wekelijks in de uiterste standen te zetten en het zitje en de armleuningen (indien aanwezig) omhoog en omlaag te klappen.

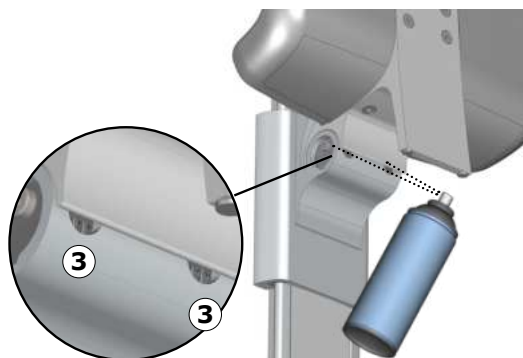
Smering

Het wordt aanbevolen de draaipunten voor het zitje en de armleuningen eens per jaar te smeren.

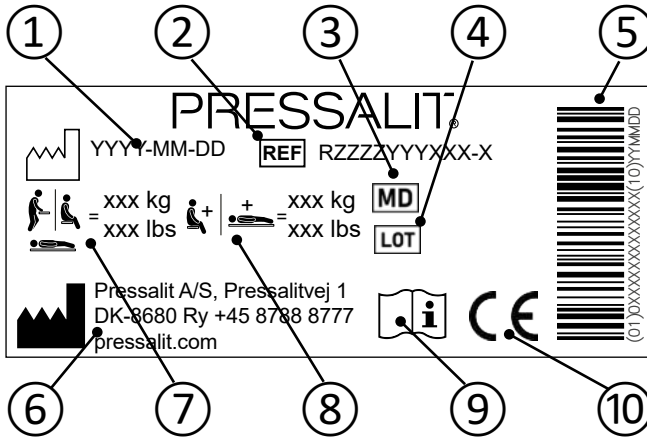


Verwijder de afdekking ① van de draaipunten met een schroevendraaier.

Smeer het draaipunt ② en de twee draaipuntopeningen ③.



Productlabel



- ① Fabricatedatum

- ② Artikelnummer

- ③ Medisch hulpmiddel

- ④ Batchcode

- ⑤ GS1-128-barcode

- ⑥ Naam en adres van fabrikant

- ⑦ Maximaal gewicht van gebruiker

- ⑧ Max. belastbaarheid

- ⑨ Raadpleeg de gebruikshandleiding

Deze producten zijn CE-gemarkeerd in overeenstemming met de relevante vereisten in:

- ⑩
 - Verordening (EU) 2017/745 (van 5 april 2017) betreffende medische hulpmiddelen.
 - Machinerichtlijn 2006/42/EEG (van 17 mei 2006).

De conformiteitsverklaring kan worden gevonden op pressalit.com

Onderhoudsinspectie

Controleer of alle schroeven en bouten stevig zijn aangedraaid en controleer de werking van het product.

Materialen

Materialen	Geanodiseerd aluminium Roestvrij staal Polyurethaanschuim ABS SEBS
------------	--

Probleemoplossing

Symptoom	Oorzaak	Actie
Het product kan niet horizontaal, omhoog of omlaag worden verplaatst.	Er kan zich vuil of stof op de rail hebben opgehoopt.	Reinig de rail en smeer deze met silicone.
De vergrendelingshendel voor horizontale afstelling werkt niet.	De vergrendeling is niet juist afgesteld.	Zie de montage-instructies.
De arMLEUNINGEN en/of het zitvlak zijn moeilijk omhoog en omlaag te klappen.	De verbindingen van het zitvlak en de arMLEUNINGEN moeten gesmeerd worden.	Smeer de verbindingen van het zitvlak en de arMLEUNINGEN zoals beschreven in Smering .

Afvoer en recycling

De eenheid bevat herbruikbare materialen. Er zijn geen bekende gevaren of risico's gekoppeld aan het afvoeren van het product. Alle onderdelen kunnen na reiniging en desinfectie worden afgevoerd.

We raden u aan het product bij afvoer te demonteren en onder te verdelen in afvalgroepen voor recycling of verbranding.

De volgende tabel biedt informatie over het recyclen en hanteren van het product.

Recyclebare onderdelen	Materiaal
Aluminium	Aluminium is in theorie 100% recyclebaar zonder dat de natuurlijke eigenschappen daarbij verloren gaan. Slecht 5% van de energie die het kost om primair aluminium te produceren is nodig voor het recyclen ervan. De kwaliteit van gerecycled aluminium is zo hoog dat het steeds weer gebruikt kan worden, zelfs in het geval van geanodiseerde producten, omdat de geanodiseerde laag een natuurlijk onderdeel van aluminium is.
Staal	Staal kan worden gerecycled door het opnieuw te smelten en te gebruiken als secundair materiaal bij de productie van nieuw staal.
SEBS	Gebruik sorteer- en recyclingsystemen voor kunststof wanneer deze lokaal beschikbaar zijn. Het verbranden van kunststof kan in andere gevallen worden gebruikt voor het opwekken van energie die bijvoorbeeld kan worden gebruikt voor cogeneratie.
ABS	Omdat nieuwe ABS enigszins duur is, is het recyclen van ABS economisch gezien zeer aantrekkelijk. Gerecyclede ABS kan worden gemengd met nieuw materiaal om producten tegen lagere kosten te produceren terwijl de hoge kwaliteit blijft behouden.
Polyurethaan	Net zoals andere kunststoffen kan polyurethaan op deze twee voornaamste manieren worden gerecycled: mechanische recycling, waarbij het materiaal wordt hergebruikt in de vorm van polymeer, en chemische recycling, waarbij het materiaal wordt afgebroken in de verschillende chemische bestanddelen.

Innehåll

Monteringsinstruktion	74
Visuell snabbguide	74
Symboler som används i manualen	75
Allmän säkerhetsinformation	76
Avsedd användning	77
Avsedd för	77
Användningsmiljö	77
Användningsinstruktioner	78
Fälla ned sits och armstöd	78
Justera sitsen och ryggstödet	79
Justera armstöden	80
Justering i sidled	80
Rengöring	81
Borttagning av kalkbeläggningar	81
Underhåll	82
Smörjning	82
Produktetikett	83
Serviceinspektion	84
Material	84
Åtgärda fel	84
Kassering och återvinning	85

sv

Monteringsinstruktion



En monteringsinstruktion medföljer den här produkten. Den går även att ladda ned på pressalit.com.

Visuell snabbguide



En visuell snabbguide kan laddas ned på pressalit.com.

Symboler som används i manualen

Följande symboler används i manualen samt i övrig dokumentation som medföljer produkten.



VARNING indikerar en potentiellt farlig situation som kan orsaka dödsfall eller allvarlig skada om den inte undviks.



VAR FÖRSIKTIG indikerar en potentiellt farlig situation som kan orsaka mindre eller måttlig skada om den inte undviks. Kan också användas för att varna för osäker hantering.



VIKTIGT indikerar viktig information om hantering och användning av produkten.



OBS används för att informera om hantering som inte är relaterad till personlig säkerhet.



Varning för handskada



Artikelnummer/versioner



Produktvikt



Användarens maxvikt

Allmän säkerhetsinformation

VARNING

- Se till att du har läst och förstått manualen fullständigt innan du använder produkten. Förvara manualen nära produkten.
- Följ anvisningarna i manualen för att undvika olyckor som kan orsaka allvarliga personskador.
- Använd aldrig produkten på något annat sätt än vad som beskrivs i den här manualen eftersom du då riskerar att skada både dig själv och produkten.
- Se till att alla personer som ska installera eller använda produkten och de tillhörande systemen har fått den information som behövs samt att de har tillgång till manualen.

VAR FÖRSIKTIG

- Följ anvisningarna för att undvika att produkten skadas eller förstörs.
- Försök inte reparera, demontera, montera eller göra tillägg till produkten eller ändra den på något sätt. Sådana åtgärder får endast utföras av Pressalit eller av personer som fått behörighet av Pressalit.
- Låt aldrig barn använda produkten ensamma. Den är inte avsedd för lek.
- Använd aldrig produkten om den är trasig eller skadad. Vänta med att använda en defekt produkt tills den har reparerats.

OBS

- Informationen i den här manualen är baserad på att produkten är korrekt monterad enligt våra anvisningar.
- Pressalit tar inget ansvar för eventuella fel som uppstår om produkten används på något annat sätt än vad som beskrivs i manualen.
- Vi förbehåller oss rätten att göra ändringar i manualen utan att meddela detta i förväg.

Avsedd användning

Duschsitsen är avsedd att användas av personer som behöver sitta när de duschar.

Armstöden är avsedda som stöd när personen sitter ned eller reser sig upp från duschsitsen.

Avsedd för

310-sitsen passar utmärkt för barn och mindre personer, medan 450-sitsen är lämplig för större personer. Båda duschsitsarna kan användas av personer med maxvikt **200 kg**.

Den maximala vertikala belastningen för armstöden är 55 kg.

Användningsmiljö

För användning inomhus i våtrumsmiljö, till exempel ett badrum. Produkten är avsedd för användning i rumstemperatur i privata hem, på vårdhem och sjukhus.

OBS

Eventuella allvarliga incidenter som inträffar i samband med produkten ska rapporteras till tillverkaren och till berörda hälsomyndigheter.

En allvarlig incident definieras som en incident som leder till dödsfall för en patient, användare eller annan person, eller som orsakar en tillfällig eller permanent försämring av personens hälsa. Alla incidenter som har resulterat i eller eventuellt kan resultera i en allvarlig incident måste rapporteras.



VAR FÖRSIKTIG

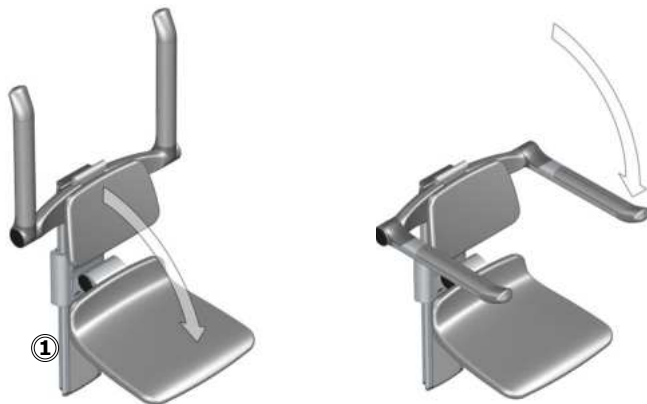
Ytan på den här produkten kan bli mycket varm eller kall om den utsätts för värme eller kyla från externa källor (t.ex. solsken eller frost).

OBS

Om produkten installeras i en miljö där det finns mycket salt eller klorid minskar garantitiden från 3 år (standard) till 1 år.

Salt och klorid har en korrosiv effekt på komponenterna i produkten och gör att livslängden minskar. Skadeeffekterna kan dock minskas om produkten spolas av med kranvatten dagligen.

Användningsinstruktioner



Fälla ned sits och armstöd

Fäll ned duschsitsen och armstöden (om de är monterade) helt.

Fäll upp dem igen när sitsen inte används. Ett klick hörs när duschsitsen och armstöden är uppfällda i rätt position.



Se till att du inte skadar händerna när du är i närheten av delar som stängs ①.

SV

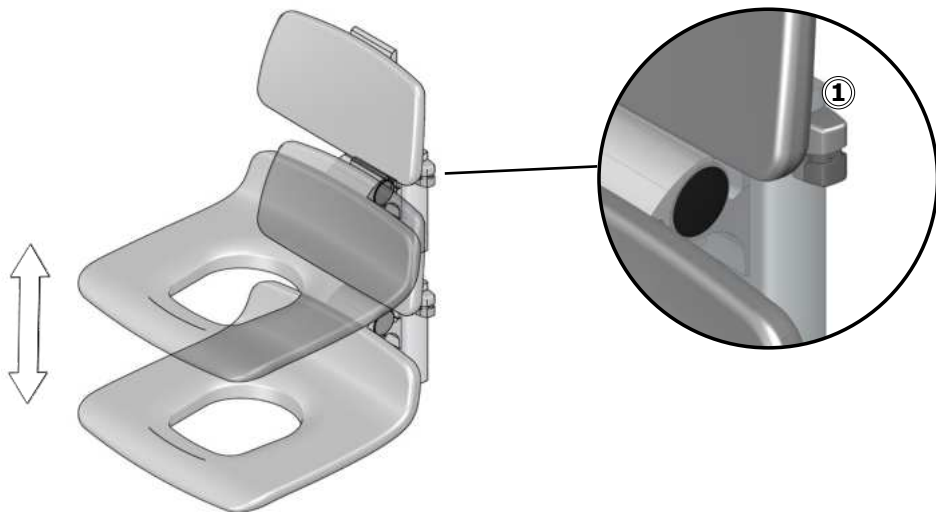
VARNING

Armstöden är inte avsedda för horisontell belastning, t.ex. som hjälp vid förflyttning i sidled från en rullstol till en duschsits.

VIKTIGT

Kontrollera att sitsen har torkats av om den har varit i kontakt med vatten.

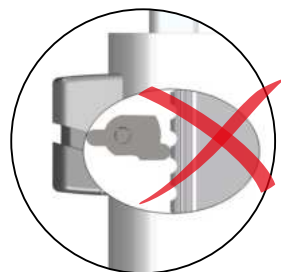
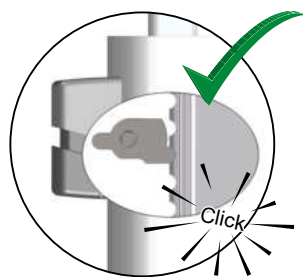
Justera sitsen och ryggstödet



Om du vill justera uppåt trycker du duschsitsen uppåt.

Om du vill justera nedåt trycker du på låsknappen ① och håller den intryckt samtidigt som du skjuter duschsitsen nedåt. Släpp låsknappen för att låsa duschsitsen i önskad position.

Kontrollera sedan att den utskjutande delen på låsknappen hakar fast i fästet.



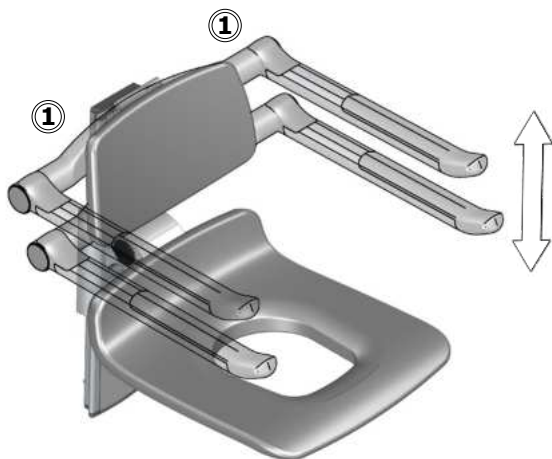
SV

Justera armstöden

Armstöden kan också justeras separat från sits och ryggstöd.

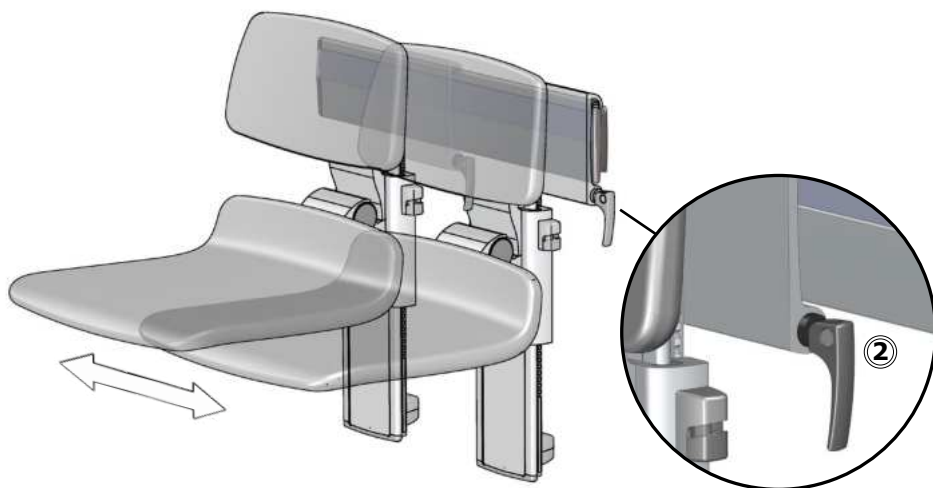
Om du vill att armstöden ska sitta högre skjuter du dem uppåt vid axlarna ① till önskad höjd. Ett klick hörs när de sitter i rätt position.

Om du vill att armstöden ska sitta lägre skjuter du dem ända upp och släpper sedan ned dem kontrollerat till den lägsta positionen. Skjut därefter upp dem igen till önskad höjd. Ett klick hörs när de sitter i rätt position.



Justering i sidled

SV



Lösa låshandtaget ② och flytta duschsitsen i sidled. Dra åt låshandtaget igen för att låsa sitsen i önskad position.

Rengöring

Produkten ska rengöras med varmt vatten eller ett mild tvålbaserat rengöringsmedel. Information om vilka rengöringsprodukter som har testats och godkänts av Pressalit för den specifika produkten finns på pressalit.com under produktens artikelnummer. Pressalit rekommenderar rengöring av produkten efter installation.



VAR FÖRSIKTIG

Läs alltid materialsäkerhetsdatabladet (MSDS) och de medföljande anvisningarna till det aktuella rengörings-, desinficerings- eller avkalkningsmedlet avseende säker användning, spädning, sköljning, torkning, hantering och förvaring.

VIKTIGT

- Använd inte en autoklav eller någon annan typ av ångtvätt för rengöring.
- Undvik aggressiva rengöringsmedel som innehåller syror.
- Spruta aldrig med högtryckstvätt direkt på produkten.
- Undvik användning av slipande, korrosiva eller klorbaserade rengörings- eller desinficeringsprodukter.

Borttagning av kalkbeläggningar

För att ta bort kalkbeläggningar på aluminiumdelar torkar du med en blandning av 3 delar 30-procentig vanlig vinäger och 7 delar vatten. Torka därefter igen med en trasa som är blött med rent vatten.

I länder där kalkhalten i ledningsvattnet är hög kan det vara nödvändigt att ta bort kalkbeläggningar från aluminiumdelar med ett avkalkningsmedel, t.ex. ättiksyra. Testa först medlet på en yta som inte syns när produkten används.

Underhåll



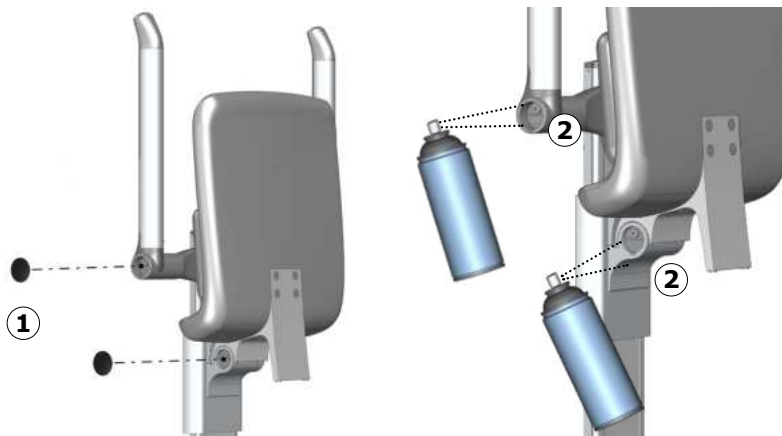
Den förväntade användningstiden för duschsitsen är 10 år, förutsatt att underhåll utförs enligt anvisningarna nedan:

Avlägsna damm från väggskenor ① regelbundet. Smörj in väggskenor med silikon.

Du rekommenderas att skjuta produkten till maxpositionerna samt fälla upp och ned sitsen och armstöden (om de är monterade) en gång i veckan.

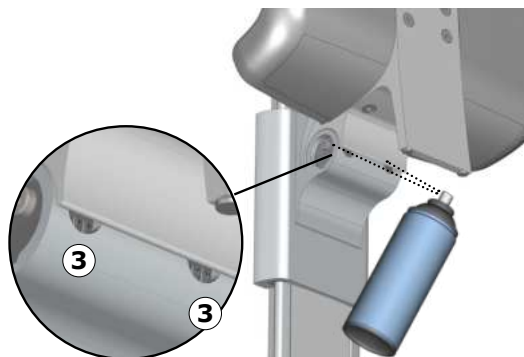
Smörjning

Vi rekommenderar att du smörjer gångjärnen för sitsen och armstöden en gång om året.

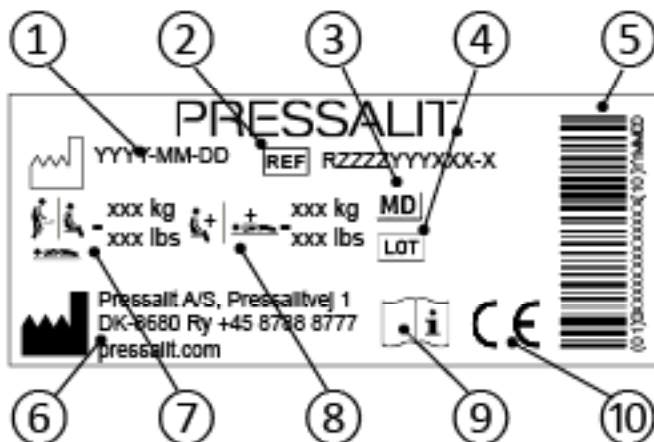


Använd en skruvmejsel för att ta bort skyddet ① för gångjärnen.

Smörj gångjärnet ② och de två gångjärnshålen ③.



Produktetikett



- ① Tillverkningsdatum

- ② Artikelnummer

- ③ Medicinsk utrustning

- ④ Batchkod

- ⑤ Streckkod GS1-128

- ⑥ Tillverkarens namn och adress

- ⑦ Användarens maxvikt

- ⑧ Max. belastning

- ⑨ Läs manualen för att få anvisningar om användning

Dessa produkter är CE-märkta i enlighet med relevanta krav i:

- ⑩
 - Förordning (EU) 2017/745 (från den 5. april 2017) om medicintekniska produkter.
 - Maskindirektivet 2006/42/EEG (från den 17 maj 2006).
- En försäkran om överensstämmelse finns på pressalit.com

Serviceinspektion

Se till att alla skruvar och bultar sitter ordentligt och kontrollera att produkten fungerar som den ska.

Material

Material	Anodiserat aluminium Rostfritt stål Polyuretanskum ABS SEBS
----------	---

Åtgärda fel

Symptom	Orsak	Åtgärd
Det går inte att flytta produkten i sidled, uppåt eller nedåt.	Det kan finnas smuts eller damm på väggskenorna.	Rengör väggskenorna och smörj in dem med silikon.
Det går inte att låsa låshandtaget för horisontell justering.	Låset är inte justerat på rätt sätt.	Se monteringsinstruktionerna.
Armstöden och/eller sitsen är svåra att fälla upp/ned.	Gångjärnen för sitsen och armstöden behöver smörjas.	Smörj gångjärnen för sitsen och armstöden enligt anvisningarna i Smörjning .

SV

Kassering och återvinning

Produkten innehåller material som går att återvinna. Det finns inga kända risker förknippade med kassering av produkten. Alla komponenter kan kasseras efter att de har rengjorts och desinficerats.

Vid kassering av produkten rekommenderar vi att den demonteras och att de olika delarna avfallssorteras för återvinning eller förbränning.

I följande tabell finns information om återvinning och hantering av produkten.

Komponenter som kan återvinnas	Material
Aluminium	Aluminium går teoretiskt sett att återvinna till 100 % utan att det förlorar några av sina naturliga egenskaper. Detta kräver endast 5 % av den energi som behövs för att tillverka primäraluminium. Kvaliteten på återvunnet aluminium är så hög att det kan användas igen och igen, och detta gäller även för anodiserade produkter eftersom det anodiserade lagret är en naturlig del av aluminiumet.
Stål	Stål kan återvinnas genom att smältas ned och inkluderas som ett sekundärt material vid tillverkning av nytt stål.
SEBS	Sortera som plastavfall.
ABS	ABS-plast ska återvinnas, bland annat därför att det är mycket lönsamt ekonomiskt sett. Återvunnen ABS-plast kan blandas med ny ABS-plast och användas vid tillverkning av produkter med samma höga kvalitet till en lägre kostnad.
Polyuretan	I likhet med andra plaster kan polyuretan återvinnas på två huvudsakliga sätt: mekanisk återvinning, där materialet återanvänds i polymerform, och kemisk återvinning där materialet delas upp i sina olika kemiska beståndsdelar.

Innholdsfortegnelse

Monteringsanvisning	86
Visuell hurtigveiledning	86
Symboler brukt i denne brukerhåndboken	87
Generell sikkerhet	88
Tiltenkt bruk	89
Krav til brukere	89
Krav til omgivelsene ved bruk	89
Bruksanvisning	90
Vippe setet og armlenene	90
Justere setet og ryggstøtten	91
Justere armlenene	92
Justere sidelengs	92
Rengjøring	93
Slik fjerner du kalkavleiringer	93
Vedlikehold	94
Smøring	94
Produktetikett	95
Serviceinspeksjon	96
Materialer	96
Feilsøking	96
Kassering og gjenvinning	97

Monteringsanvisning

no



En monteringsanvisning er inkludert med dette produktet.
Den kan også lastes ned fra pressalit.com.

Visuell hurtigveiledning



En visuell hurtigveiledning kan lastes ned fra pressalit.com.

Symboler brukt i denne brukerhåndboken

De følgende symbolene brukes i denne brukerhåndboken og i den tilhørende dokumentasjonen som følger med produktet.



ADVARSEL indikerer en potensiell farlig situasjon som, hvis den ikke unngås, kan føre til død eller alvorlig personskade.



FORSIKTIG angir en potensielt farlig situasjon som, hvis den ikke unngås, kan føre til mindre eller moderate personskader. Det kan også brukes for å advare mot feilaktig bruk.



VIKTIG angir viktig informasjon om korrekt håndtering og bruk av produktet.



MERKNAD indikerer forhold som ikke er relatert til personlig sikkerhet.



Advarsel om håndskade



Artikkelnummer/-versjoner



Produktvekt



Maksimal brukervekt

Generell sikkerhet

ADVARSEL

- Les og forstå brukerhåndboken fullstendig før bruk. Oppbevar brukerhåndboken nær enheten.
- Følg instruksjonene i denne brukerhåndboken for å unngå ulykker som kan føre til alvorlig personskade.
- Dette produktet skal aldri brukes eller håndteres på andre måter enn som beskrevet i denne brukerhåndboken. Dette kan redusere sikkerheten for deg og føre til skade på produktet.
- Sørg for at alle som skal montere eller bruke produktet og systemene, har all nødvendig informasjon og tilgang til denne brukerhåndboken.

FORSIKTIG

- Følg disse instruksjonene for å unngå at produktet skades eller ødelegges.
- Ikke utfør reparasjoner, demonterings- eller monteringsoperasjoner, utvidelser, justeringer eller modifikasjoner på dette produktet. Dette skal kun utføres av Pressalit eller personer som er autorisert av Pressalit.
- La aldri barn bruke dette produktet uten tilsyn. Produktet er ikke et leketøy.
- Bruk aldri produktet hvis det er defekt eller skadet. Bruk ikke et defekt produkt før det er blitt reparert.

MERKNAD

- Informasjonen i denne brukerhåndboken forutsetter at produktet er riktig montert i samsvar med våre monteringsinstruksjoner.
- Pressalit kan ikke holdes ansvarlig hvis produktet brukes på annen måte enn som beskrevet i veiledningen.
- Vi forbeholder oss retten til å foreta endringer i denne brukerhåndboken uten varsel.

Tiltenkt bruk

Dusjsetet brukes til å sitte på når en dusjer.

Armlenene er beregnet som støtte når en setter seg på og reiser seg fra dusjsetet.

Krav til brukere

310-setet er egnet for barn og små voksne, mens 450-setet tåler store personer. Begge dusjsetene kan brukes av personer som veier under **200 kg**.
Maksimal vertikal belastning for armlenene er 55 kg.

Krav til omgivelsene ved bruk

For bruk innendørs i våtrom, som bad eller vaskerom. Produktet skal brukes ved romtemperatur i private hjem, på pleiehjem og sykehus.

MERKNAD

Enhver alvorlig hendelse som har skjedd i forbindelse med produktet, skal rapporteres til produsenten og helsemyndighetene.

En alvorlig hendelse defineres som en hendelse som fører til at en pasient, bruker eller annen person dør, eller som forårsaker en midlertidig eller permanent forverring av personens helse. Enhver hendelse som har resultert i eller har potensial til å resultere i en alvorlig hendelse, skal rapporteres.

FORSIKTIG

Produktets overflate kan bli varm og/eller kald hvis den utsettes for eksterne kilder for varme eller kulde (f.eks. sollys eller frost).

MERKNAD

Hvis produktet installeres i omgivelser med høyt salt- eller kloridinnhold, reduseres garantien fra 3 år til 1 år.

Salt og klorid kan føre til korrosjon på produktets komponenter og vil føre til redusert produktlevetid. Skaden kan eventuelt reduseres ved å skylle produktet med vann fra springen daglig.

no

Bruksanvisning



Vippe setet og armlenene

Vipp dusjsetet og armlenene (hvis montert) helt ned.

Vipp de tilbake når de ikke er i bruk. Du hører et klikk når dusjsetet og armlenene er riktig vippet opp.



Vær forsiktig for å unngå håndskade når hendene er i nærheten av bevegelige deler som lukker seg ①.



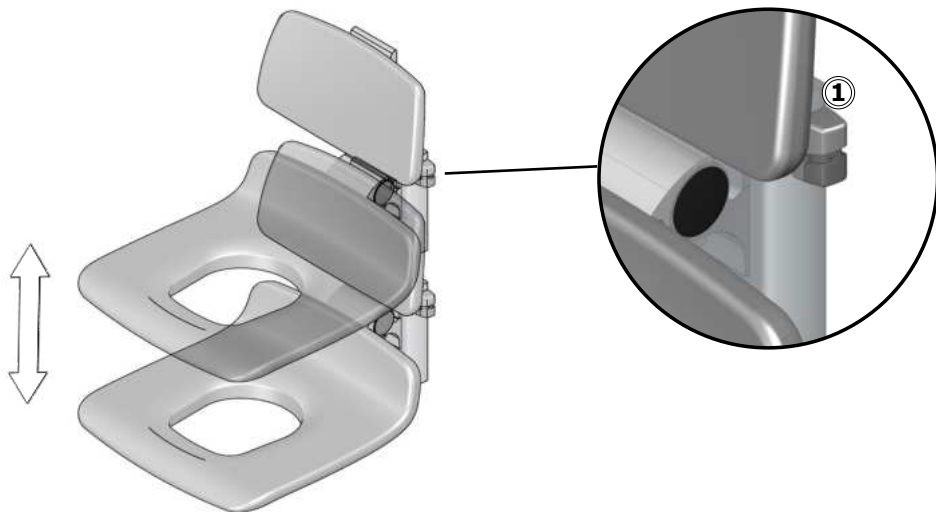
ADVARSEL

Armlenene er ikke beregnet for horisontal belastning, f.eks. som hjelpemiddel ved sideveis forflytning fra rullestol til dusjsete.

VIKTIG

Pass på at setet tørkes av hvis det er kommet vann på det.

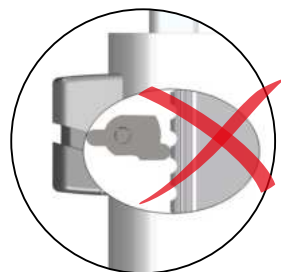
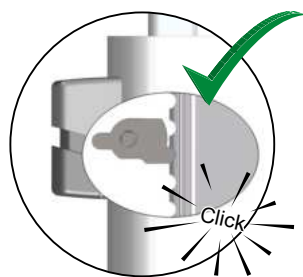
Justere setet og ryggstøtten



Dra dusjsetet oppover for å justere det oppover.

Juster nedover ved å trykke inn låseknappen ① og holde den inne mens dusjsetet dras nedover. Slipp låseknappen for å låse dusjsetet.

Pass på at låseknappen aktiveres i sporet.



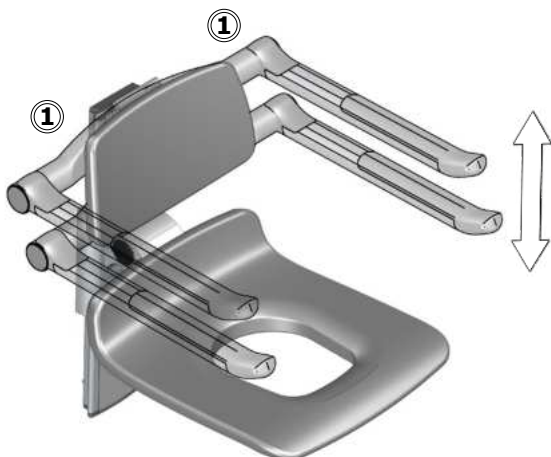
no

Justere armlenene

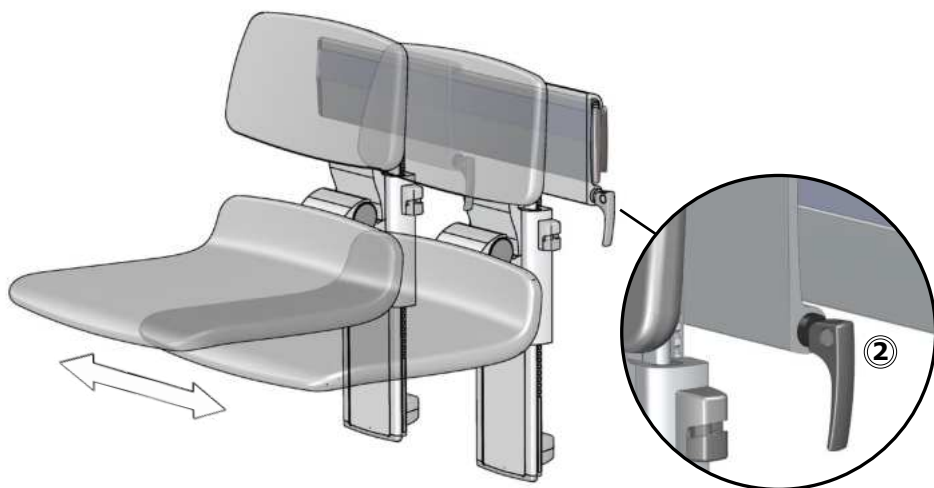
Armlenene kan også justeres uavhengig av setet og ryggstøtten.

Juster armlenene oppover ved å dra oppover mot skuldrene ① til du har oppnådd ønsket høyde og hører et klikk.

For å justere armlenene nedover må du dra armlenene helt til toppen, og deretter støtte dem helt ned til laveste posisjon, og deretter dra oppover igjen til ønsket posisjon og du hører et klikk.



Justere sidelengs



Løs ut låsehåndtaket ②, og flytt dusjsetet sidelengs. Stram låsehåndtaket igjen for å låse setet.

Rengjøring

Produktet skal rengjøres med varmt vann eller et mildt rengjøringsmiddel. Du kan se hvilke rengjøringsprodukter som er testet og godkjent av Pressalit for et bestemt produkt, på Pressalit.com ved å bruke produktets artikkelnummer.

Pressalit anbefaler å rengjøre produktet etter montering.



Les alltid produktdatabladet (MSDS) og instruksjonene som følger med rengjørings-, desinfeksjons- eller kalkfjerningsmiddelet, og følg instruksjonene for sikker bruk, fortynning, skylling, tørking, håndtering og oppbevaring av middelet.

VIKTIG

- Ikke bruk autoklivering eller annen type damprengjøring.
- Unngå sterke rengjøringsmidler som inneholder syre.
- Spray aldri produktet direkte med en høytrykksspuler.
- Unngå bruk av skurende, korroderende eller klorbaserte rengjørings- eller desinfeksjonsprodukter.

Slik fjerner du kalkavleiringer

Fjern kalkavleiringer fra aluminiumdeler ved å bruke 3 deler 30 % husholdningseddik til 7 deler vann, og tørk deretter av delene med en klut vridd opp i rent vann.

I land der det er mye kalk i vannet, kan det være nødvendig å fjerne kalkavleiringer fra aluminiumdeler ved å bruke et kalkfjerningsmiddel som eddiksyre. Test dette først på et område som ikke er synlig når produktet er i bruk.

no

Vedlikehold



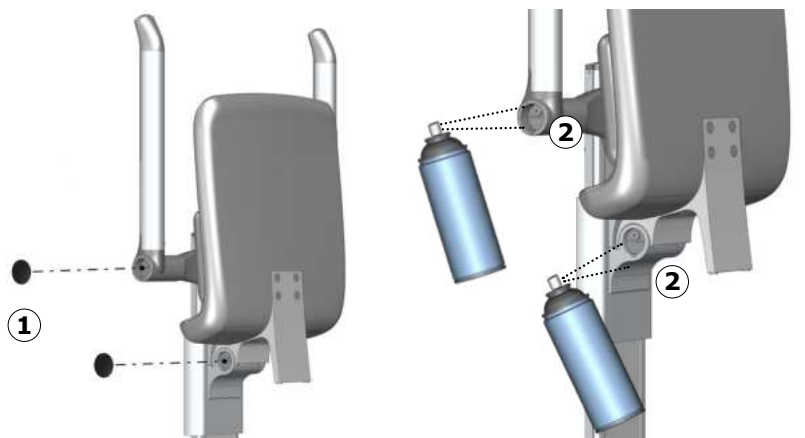
Forventet levetid for dusjsetet er 10 år, forutsatt at det vedlikeholdes som beskrevet nedenfor:

Fjern støv fra veggskinnene ① jevnlig. Tørk over veggskinnene med silikon.

Det anbefales å ukentlig justere produktet til maksimalposisjonene og å vippe setet og armlenene (hvis montert) opp og ned.

Smøring

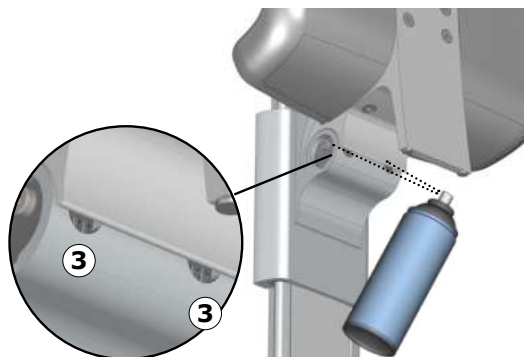
Det anbefales å smøre leddene for setet og armlenene en gang i året.



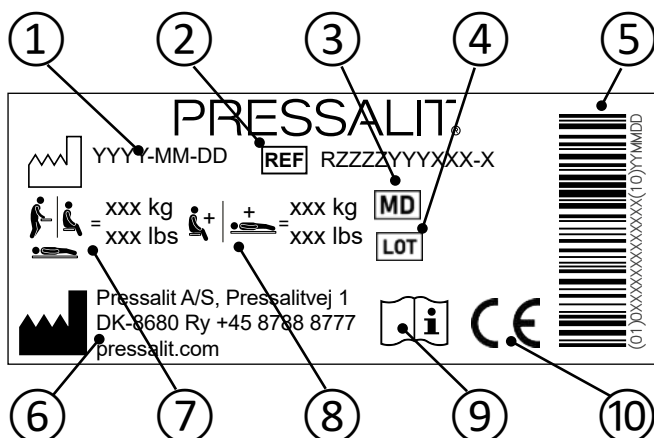
no

Bruk en skrutrekker til å fjerne dekslet ④ fra leddene.

Smør leddet ② og de to leddhullene ③.



Produktetikett



- ① Produksjonsdato
- ② Artikkelnummer
- ③ Medisinsk enhet
- ④ Partikode
- ⑤ GS1-128 barcode
- ⑥ Produsentens navn og adresse
- ⑦ Maksimal brukervekt
- ⑧ Maks. last
- ⑨ Se brukerhåndboken

⑩

Disse produktene er CE-merket i samsvar med relevante krav i:

- Forordning (EU) 2017/745 (av 5. april 2017) om medisinsk utstyr.
- Rådskonklusjon 2006/42/EF (fra 17 mai 2006) om maskiner.

Du finner en samsvarserklæring på pressalit.com

Serviceinspeksjon

Kontroller at alle skruer og bolter er strammet til, og sjekk funksjonaliteten til produktet.

Materialer

Materialer	Anodisert aluminium Rustfritt stål Polyuretanskum ABS SEBS
------------	--

Feilsøking

Symptom	Årsak	Tiltak
Produktet kan ikke beveges sidelengs eller opp og ned.	Det kan være smuss eller støv på veggskinnene.	Rengjør veggskinnene og smør med silikon.
Låsehåndtaket for horisontal justering låser ikke.	Låsen er ikke riktig justert.	Se monteringsinstruksjonene.
Armlenene og/eller setet er vanskelig å folde opp og ned.	Leddene til setet og armlenene trenger smøring.	Smør leddene til setet og armlenene som beskrevet i Smøring .

Kassering og gjenvinning

Enheten inneholder materiale som kan gjenvinnes. Det er ingen kjente farer eller risikoer forbundet med avhending av produktet. Alle komponenter kan kasseres når de er blitt rengjort og desinfisert.

Når produktet avhendes, anbefaler vi at det demonteres og sorteres i ulike avfallsgrupper for gjenvinning eller forbrenning.

Den følgende tabellen gir informasjon om gjenvinning og håndtering av produktet.

Komponenter som kan gjenvinnes	Materiale
Aluminium	Aluminium er teoretisk sett 100 % gjenvinnbart uten tap av naturlige egenskaper. Dette krever kun 5 % av den energien som forbrukes ved produksjon av primæraluminium. Kvaliteten på gjenvunnet aluminium er så høy at det kan brukes igjen og igjen, selv om det gjelder anodiserte produkter, siden det anodiserte laget er en naturlig del av aluminium.
Stål	Stål kan gjenvinnes ved at det omsmeltes og inkluderes som et sekundærmateriale ved produksjon av nytt stål.
SEBS	Bruk plastsorterings- og -gjenvinningssystemer hvis slike finnes tilgjengelig lokalt. Hvis ikke, kan plasten brennes, noe som genererer ny energi som for eksempel kan brukes ved kombinert varme- og kraftproduksjon.
ABS	Siden nytt ABS er ganske dyrt, er det meget lønnsomt å resirkulere ABS. Resirkulert ABS kan blandes med nytt materiale for å produsere produkter til reduserte kostnader, samtidig som man opprettholder høy kvalitet.
Polyuretan	I likhet med andre plastmaterialer kan polyuretan gjenvinnes på to måter: mekanisk gjenvinning, der materialet brukes på nytt i sin polymerform, og ved kjemisk gjenvinning, der materialet tilbakeføres til sine ulike kjemiske bestanddeler.

Contenido

Instrucciones de montaje	98
Guía visual de funcionamiento	98
Símbolos utilizados en este manual	99
Seguridad general	100
Uso previsto	101
Perfil de usuario previsto	101
Entorno de funcionamiento	101
Instrucciones de funcionamiento	102
Plegado de los asientos y los reposabrazos	102
Regulación del asiento y el respaldo	103
Regulación de los reposabrazos	104
Regulación lateral	104
Limpieza	105
Para eliminar los restos de cal	105
Mantenimiento	106
Lubricación	106
Etiqueta del producto	107
Inspección de servicio	108
Materiales	108
Solución de problemas	108
Eliminación y reciclaje	109

Instrucciones de montaje



Este producto incluye instrucciones de montaje. Si lo prefiere, puede descargarlas desde pressalit.com.

es

Guía visual de funcionamiento



Puede descargarse una guía visual de funcionamiento desde pressalit.com.

Símbolos utilizados en este manual

Los símbolos siguientes se utilizan en el presente manual y en la documentación complementaria suministrada con el producto.



ADVERTENCIA

ADVERTENCIA indica una posible situación de peligro que, de no evitarse, podría provocar la muerte o lesiones graves.



ATENCIÓN

ATENCIÓN indica una posible situación de peligro que, de no evitarse, podría provocar lesiones leves o moderadas. También puede utilizarse para advertir de prácticas inseguras.

IMPORTANTE

IMPORTANTE indica información importante sobre la manipulación y la utilización del producto.

AVISO

AVISO se utiliza para hacer referencia a prácticas no relacionadas con la seguridad personal.



Advertencia de posibles lesiones en las manos



Número/Versiones de artículo



Indicación de peso



Peso máx. del usuario

Seguridad general



ADVERTENCIA

- Lea todo el manual y asegúrese de entenderlo antes de cualquier uso. Mantenga el manual cerca de la unidad.
- Siga las indicaciones del manual para evitar accidentes que podrían ocasionar daños personales graves.
- No utilice ni manipule nunca el producto de forma distinta a como se especifica en el manual, ya que podría resultar peligroso y provocar daños en el producto.
- Asegúrese de que las personas que vayan a instalar o utilizar el producto y sus sistemas pueden acceder a este manual y disponen de la información necesaria.



ATENCIÓN

- Siga estas instrucciones para evitar dañar o destruir el producto.
- No lleve a cabo reparaciones ni operaciones de montaje y desmontaje, no instale extensiones ni reajuste o modifique el producto. Todas estas operaciones deben ser realizadas solamente por Pressalit o personas autorizadas por Pressalit.
- No deje nunca que los niños manipulen el producto sin supervisión. El producto no ha sido diseñado para el juego.
- No utilice nunca el producto si está defectuoso o dañado. No utilice nunca un producto defectuoso hasta que haya sido reparado.

AVISO

- La información contenida en este manual se basa en el ajuste correcto del producto según nuestras instrucciones de montaje.
- Pressalit no se hace responsable de la utilización del producto de manera diferente a la descrita en la guía.
- Nos reservamos el derecho de modificar este manual sin previo aviso.

Uso previsto

El asiento para ducha se utiliza para ducharse sentado.

Los reposabrazos se han diseñado como soporte para sentarse y levantarse del asiento para ducha.

Perfil de usuario previsto

El asiento 310 es idóneo para niños y adultos de talla pequeña, mientras que el asiento 450 es más adecuado para personas de mayor tamaño. Ambos asientos para ducha son aptos para personas cuyo peso no exceda los **200 kg**.

La carga vertical máxima de los reposabrazos es de 55 kg.

Entorno de funcionamiento

Para uso en interiores de ambientes húmedos tales como baños o zonas de aseo. El producto está diseñado para ser utilizado a temperatura ambiente en casas privadas, centros de cuidado para personas mayores y hospitales.

AVISO

Debe informarse al fabricante y a las autoridades sanitarias de cualquier incidente grave que haya ocurrido en relación con el producto.

Un incidente grave se define como un incidente que conduce a la muerte de un paciente, usuario o cualquier otra persona, o que provoca un deterioro temporal o permanente en la salud de la persona. Debe informarse de cualquier incidente que haya resultado o tenga el potencial de resultar en un incidente grave.



ATENCIÓN

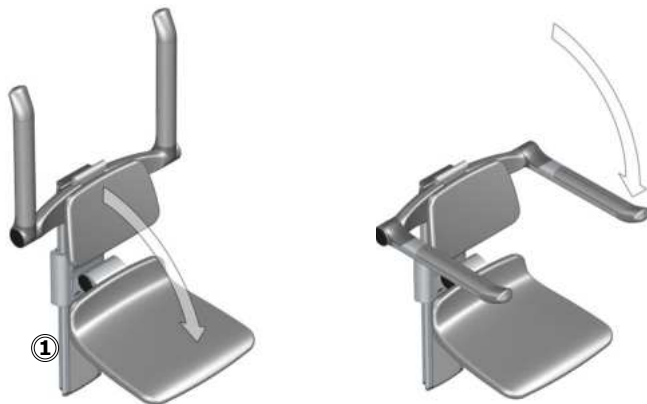
La superficie del producto puede estar caliente y/o fría si se expone a fuentes de calor o frío externas (p. ej., luz solar o escarcha).

AVISO

Si el producto se instala en un ambiente salino o con mucho cloruro, la garantía se reducirá de los 3 años normales a 1 año.

La sal y el cloruro tienen un efecto corrosivo sobre los componentes del producto que reduce la expectativa de vida del producto. Sin embargo, los efectos nocivos pueden mitigarse si el producto se limpia diariamente con agua corriente.

Instrucciones de funcionamiento



Plegado de los asientos y los reposabrazos

Despliegue por completo el asiento para ducha y los reposabrazos (si hay).

Pliéguelo cuando no lo utilice. Se escucha un clic cuando el asiento para ducha y los reposabrazos están plegados correctamente.



Extreme la precaución para evitar lesionarse las manos alrededor de las piezas móviles de cierre ①.



ADVERTENCIA

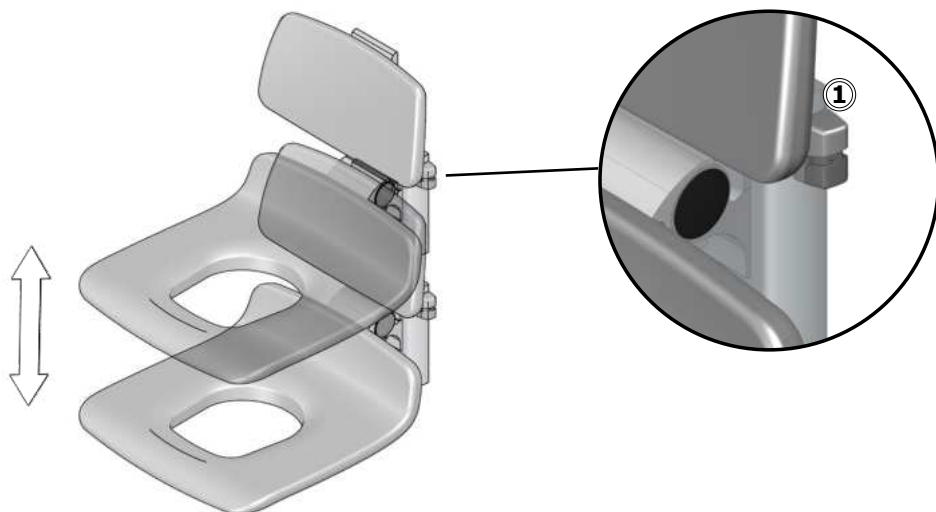
es

Los reposabrazos no se han diseñado para la carga horizontal, es decir, como ayuda para la transferencia lateral desde una silla de ruedas a un asiento para ducha.

IMPORTANTE

Asegúrese de secar el asiento siempre que se haya expuesto al agua.

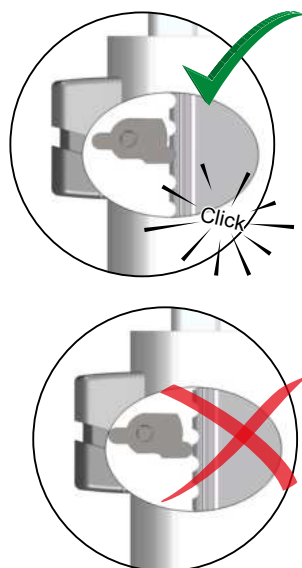
Regulación del asiento y el respaldo



Para subirlo, tire del asiento para ducha hacia arriba.

Para bajarlo, presione el botón de bloqueo ① y manténgalo presionado mientras desplaza el asiento para ducha hacia abajo. Suelte el botón de bloqueo para fijar el asiento para ducha.

Asegúrese de que el cierre del botón de bloqueo queda encajado en la muesca.



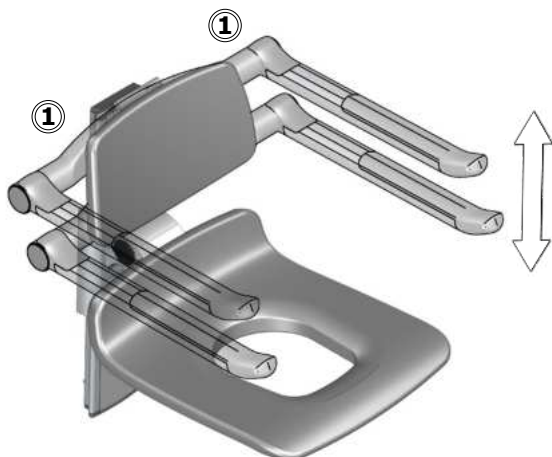
es

Regulación de los reposabrazos

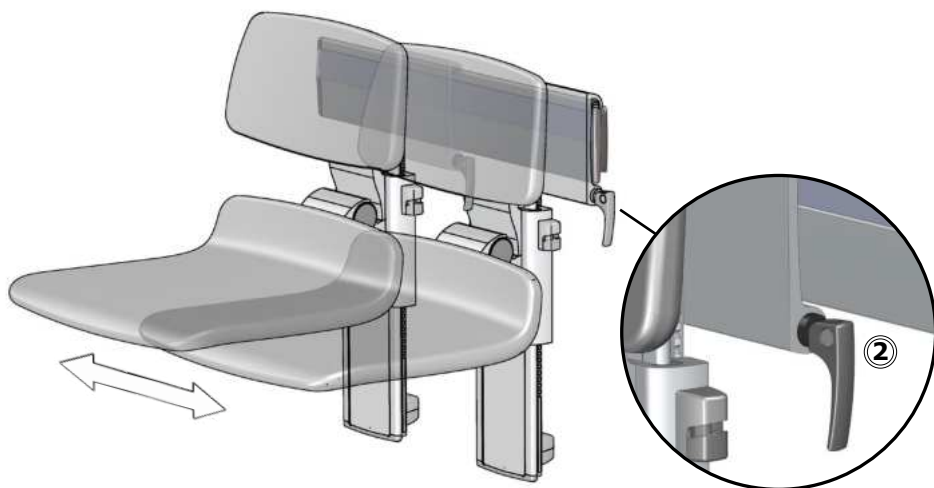
Los reposabrazos admiten un ajuste independiente del asiento y el respaldo.

Para subir los reposabrazos, tire de los mismos hacia arriba por la parte de los hombros ① hasta alcanzar la altura deseada y hasta que se escuche un clic.

Para bajar los reposabrazos, súbalos hasta arriba del todo y después hágalos bajar hasta la posición más baja para luego volver a subirlos hasta la posición deseada y hasta que se escuche un clic.



Regulación lateral



Suelte el mango de bloqueo ② y deslice lateralmente el asiento para ducha. Vuelva a ajustar el mango de bloqueo para fijar el asiento para ducha en su sitio.

Limpieza

Limpie el producto con agua caliente o con un agente de limpieza jabonoso suave.

Para conocer los productos de limpieza probados y aprobados por Pressalit para el producto correspondiente, visite Pressalit.com y consulte el número de artículo del producto.

Pressalit recomienda limpiar el producto después de la instalación.

ATENCIÓN

Lea siempre las hojas de datos de seguridad (MSDS) y las instrucciones suministradas de limpieza, desinfección o del agente descalcificador y siga las instrucciones de uso seguro, dilución, aclarado, secado, manipulación y almacenamiento del agente.

IMPORTANTE

- No utilice sistemas de autoclave ni ningún otro tipo de limpieza a vapor.
- Evite los agentes limpiadores agresivos que contengan ácidos.
- Nunca pulverice el producto directamente con limpiadores de alta presión.
- Evite el uso de productos de limpieza o desinfectantes abrasivos, corrosivos o que contengan cloro.

Para eliminar los restos de cal

Para eliminar las marcas de cal de los componentes de aluminio, utilice una solución de 3 partes de vinagre de cocina al 30 % y 7 partes de agua, y luego seque los componentes con un paño bien escurrido en agua limpia.

En países con unos niveles relativamente altos de cal en el suministro de agua, puede ser necesario eliminar los depósitos de cal de las piezas de aluminio mediante agentes descalcificadores como el ácido acético. Pruebe primero en una zona no visible mientras utiliza el producto.

Mantenimiento



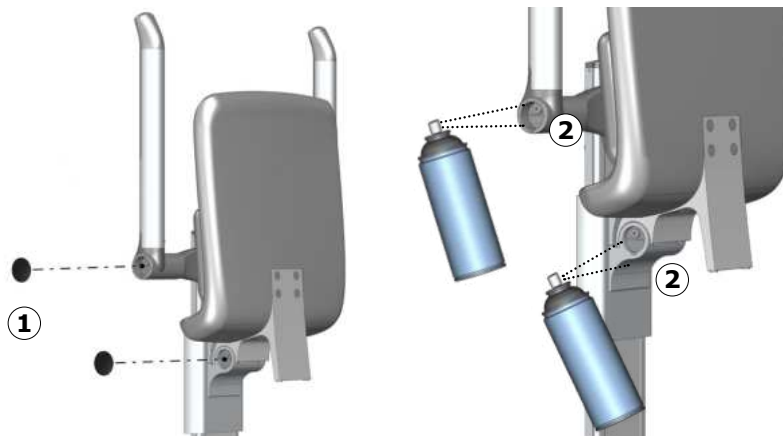
La vida útil esperada del asiento para ducha es de 10 años, siempre y cuando el mantenimiento se realice tal y como se describe a continuación:

Elimine regularmente el polvo del montaje mural ①. Engrase los montajes murales con silicona.

Se recomienda regular semanalmente el producto hasta las posiciones máximas y plegar y desplegar el asiento y los reposabrazos (si están instalados).

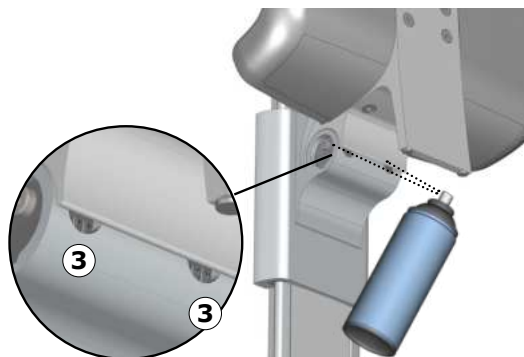
Lubricación

Se recomienda lubricar anualmente las juntas del asiento y los reposabrazos.

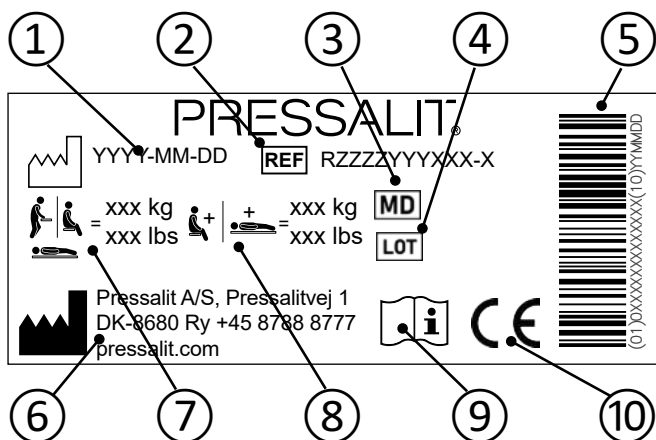


Utilice un destornillador para retirar la tapa ① de las juntas.

Lubrique la junta ② y los dos agujeros de la junta ③.



Etiqueta del producto



- ① Fecha de fabricación

- ② Número de artículo

- ③ Producto sanitario

- ④ Código de lote

- ⑤ Código de barras GS1-128

- ⑥ Nombre y dirección del fabricante

- ⑦ Peso máximo del usuario

- ⑧ Carga máxima

- ⑨ Consulte el manual de uso

Estos productos tienen la marca CE de acuerdo con los requisitos relevantes en:

- ⑩
 - Reglamento (UE) 2017/745 (de 5 de abril de 2017) sobre los productos sanitarios.
 - Directiva 2006/42/CE (del 17 de mayo de 2006) sobre maquinaria.

Puede encontrar la declaración de conformidad en www.pressalit.com

Inspección de servicio

Asegúrese de que todos los tornillos y pernos estén bien sujetos y compruebe que el producto funciona correctamente.

Materiales

Materiales	Aluminio anodizado Acero inoxidable Espuma de poliuretano ABS SEBS
------------	--

Solución de problemas

Síntoma	Causa	Acción
El producto no se puede desplazar lateralmente ni tampoco subir o bajar.	Puede haber suciedad o polvo en el montaje mural.	Limpie el montaje mural y engráselo con silicona.
El mango de bloqueo para la regulación horizontal no se bloquea correctamente.	No se ha ajustado correctamente el bloqueo.	Consulte las instrucciones de montaje.
Los reposabrazos y/o el asiento son difíciles de plegar y desplegar.	Las juntas del asiento y de los reposabrazos necesitan lubricación.	Lubrique las juntas del asiento y de los reposabrazos como se describe en el apartado Lubricación .

es

Eliminación y reciclaje

La unidad contiene materiales reutilizables. No se conocen peligros o riesgos relacionados con la eliminación del producto. Todos los componentes pueden ser desechados una vez limpiados y desinfectados.

Para eliminar el producto, se recomienda desmontarlo y separar sus piezas en diferentes grupos de residuos para su reciclaje o combustión.

En la siguiente tabla encontrará información sobre el reciclaje y la gestión del producto.

Componentes reciclables	Material
Aluminio	Teóricamente, el aluminio es 100 % reciclable sin perder sus propiedades naturales. Tan solo se requiere un 5 % de la energía utilizada para producir el aluminio primario. La calidad del aluminio reciclado es tan alta que puede utilizarse de forma indefinida, incluso en productos anodizados, ya que la capa anodizada es parte natural del aluminio.
Acero	El acero puede reciclarse mediante refundido e incluirse en un material secundario para la producción de acero nuevo.
SEBS	Utilice los sistemas de clasificación y reciclaje disponibles localmente; si no los hubiera, la incineración de plástico tiene el beneficio añadido de generar energía, que puede utilizarse para la producción combinada de calor y energía.
ABS	El material virgen del plástico ABS es caro, por lo que el reciclaje de ABS resulta económicamente interesante. El ABS reciclado puede mezclarse con material virgen para fabricar productos con un menor coste y la misma calidad.
Poliuretano	Al igual que otros plásticos, el poliuretano puede reciclarse de dos formas: reciclaje mecánico, que reutiliza el material en forma de polímero, y reciclaje químico, que reconstituye los diferentes elementos químicos del material.

es

Contenuto

Istruzioni per il montaggio	110
Segnaletica di indicazione	110
Simboli utilizzati in questo manuale	111
Indicazioni generali di sicurezza	112
Usò previsto	113
Profilo dell'utilizzatore previsto	113
Ambiente di utilizzo	113
Istruzioni per l'uso	114
Apertura/Chiusura del sedile e dei braccioli	114
Regolazione del sedile e dello schienale	115
Regolazione dei braccioli	116
Regolazione laterale	116
Pulizia	117
Per rimuovere il calcare	117
Manutenzione	118
Lubrificazione	118
Etichetta del prodotto	119
Ispezione	120
Materiali	120
Risoluzione dei problemi	120
Smaltimento e riciclaggio	121

Istruzioni per il montaggio



Il prodotto contiene le istruzioni per il montaggio. Queste possono essere scaricate anche dal sito pressalit.com.

Segnaletica di indicazione



La segnaletica di indicazione è anche disponibile per il download dal sito pressalit.com.

Simboli utilizzati in questo manuale

In questo manuale e nella relativa documentazione fornita con il prodotto vengono utilizzati i simboli descritti in basso.



AVVERTENZA: indica una situazione potenzialmente pericolosa che, se non evitata, potrebbe causare morte o gravi lesioni.



ATTENZIONE: indica una situazione potenzialmente pericolosa che, se non evitata, può provocare lesioni lievi o moderate. Questo simbolo viene usato anche per mettere in guardia da pratiche non sicure.



IMPORTANTE: indica informazioni importanti relative alla gestione e all'uso del prodotto.



AVVISO: è usato per indicare pratiche non legate alla sicurezza personale.



Avvertenza di pericolo lesioni alle mani



Codice articolo/versioni



Peso del prodotto



Peso massimo dell'utilizzatore

Indicazioni generali di sicurezza

AVVERTENZA

- Leggere e comprendere a fondo il manuale prima dell'uso. Conservare il manuale in prossimità dell'unità.
- Attenersi alle indicazioni fornite nel presente manuale per evitare incidenti associati a gravi lesioni personali.
- Non utilizzare o maneggiare il prodotto in modi diversi da quelli specificati nel presente manuale; in caso contrario, si rischia di mettere a repentaglio la propria sicurezza e di danneggiare il prodotto.
- Accertarsi che tutti coloro che devono installare o utilizzare il prodotto e i suoi sistemi dispongano delle informazioni necessarie e abbiano accesso al presente manuale.

ATTENZIONE

- Attenersi alle presenti istruzioni per evitare che il prodotto venga danneggiato o distrutto.
- Non eseguire riparazioni, operazioni di smontaggio o montaggio, estensioni, regolazioni o modifiche al prodotto. Tali operazioni devono essere eseguite esclusivamente da Pressalit o da persone autorizzate da Pressalit.
- Non consentire ai bambini di utilizzare questo prodotto se non supervisionati. Il prodotto non è un gioco.
- Non utilizzare mai il prodotto se è difettoso o danneggiato. Non utilizzare un prodotto difettoso prima che sia stato riparato.

AVVISO

- Le informazioni contenute in questo manuale si basano sulla corretta installazione del prodotto in conformità alle nostre istruzioni di montaggio.
- Pressalit non può essere ritenuta responsabile se il prodotto viene utilizzato in modo diverso da quello descritto nella guida.
- Ci riserviamo il diritto di modificare il presente manuale senza obbligo di preavviso.

Uso previsto

Il sedile per doccia serve come seduta durante la doccia. I braccioli servono come supporto quando l'utilizzatore, dalla posizione seduta, si alza dal sedile per doccia.

Profilo dell'utilizzatore previsto

Il sedile 310 è adatto a bambini e adulti di corporatura piccola, mentre il sedile 450 è indicato per persone di corporatura superiore. Entrambi i sedili per doccia possono essere utilizzati da persone il cui peso non superi i **200 kg. Il carico verticale massimo supportato dai braccioli è di 55 kg.**

Ambiente di utilizzo

Per uso interno in ambienti umidi, come i bagni. Il prodotto è destinato all'uso a temperatura ambiente, in case private, case di cura e ospedali.

AVVISO

Eventuali incidenti gravi verificatisi in relazione al prodotto devono essere segnalati al produttore e alle autorità sanitarie.

Per incidente grave si intende un incidente che provoca il decesso di un paziente, di un utilizzatore o di qualsiasi altra persona, o che causa un peggioramento temporaneo o permanente della salute della persona. È obbligatorio segnalare qualsiasi situazione che abbia provocato o possa provocare un incidente grave.



ATTENZIONE

La superficie del prodotto può diventare calda e/o fredda se esposta a fonti esterne di calore o di freddo (ad es. luce solare o gelo).

AVVISO

Se il prodotto viene installato in un'atmosfera a elevato contenuto di sale o cloruro, la garanzia verrà ridotta dai normali 3 anni a 1 anno.

Il sale e il cloruro hanno un effetto corrosivo sui componenti del prodotto e ne riducono la durata prevista. Gli effetti dannosi possono, tuttavia, essere contenuti se il prodotto viene risciacquato quotidianamente con acqua di rubinetto.

Istruzioni per l'uso



Apertura/Chiusura del sedile e dei braccioli

Spingere il sedile per doccia e i braccioli (se presenti) in avanti e completamente verso il basso. Richiuderlo quando non in uso. Quando il sedile per doccia e i braccioli sono ripiegati correttamente, si sente un clic.



Prestare attenzione a non ferirsi le mani quando ci si trova in prossimità delle parti mobili di chiusura ①.



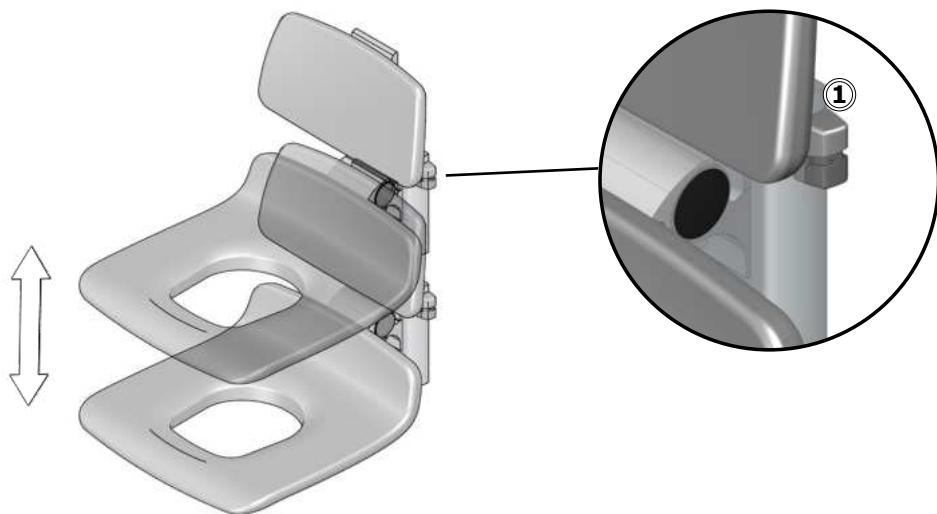
AVVERTENZA

I braccioli non sono destinati al carico orizzontale, ad es. come ausilio per il trasferimento laterale dalla sedia a rotelle al sedile per doccia.

IMPORTANTE

Accertarsi di asciugare il sedile ogni volta che viene esposto all'acqua.

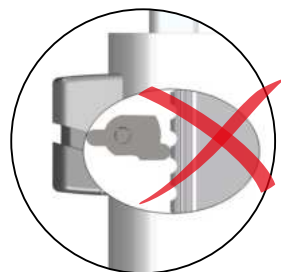
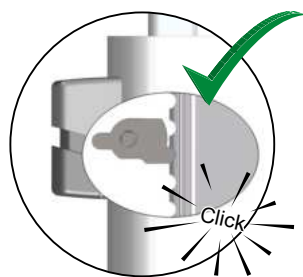
Regolazione del sedile e dello schienale



Per regolare verso l'alto, tirare il sedile per doccia verso l'alto.

Per regolare verso il basso, premere il pulsante di blocco ① e tenerlo chiuso mentre si spinge il sedile per doccia verso il basso. Rilasciare il pulsante di blocco per fissare il sedile per doccia in posizione.

Accertarsi che il perno del pulsante di blocco sia inserito nell'apposita fessura.



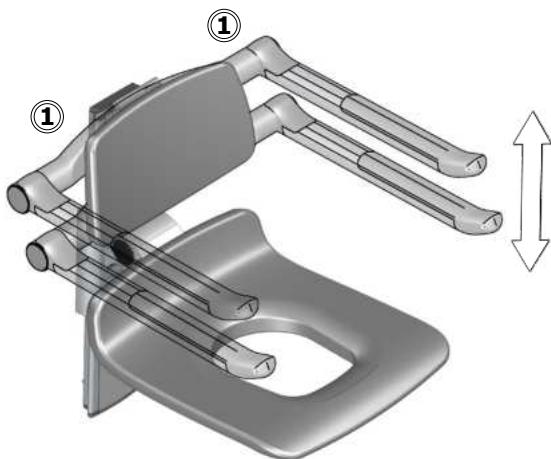
it

Regolazione dei braccioli

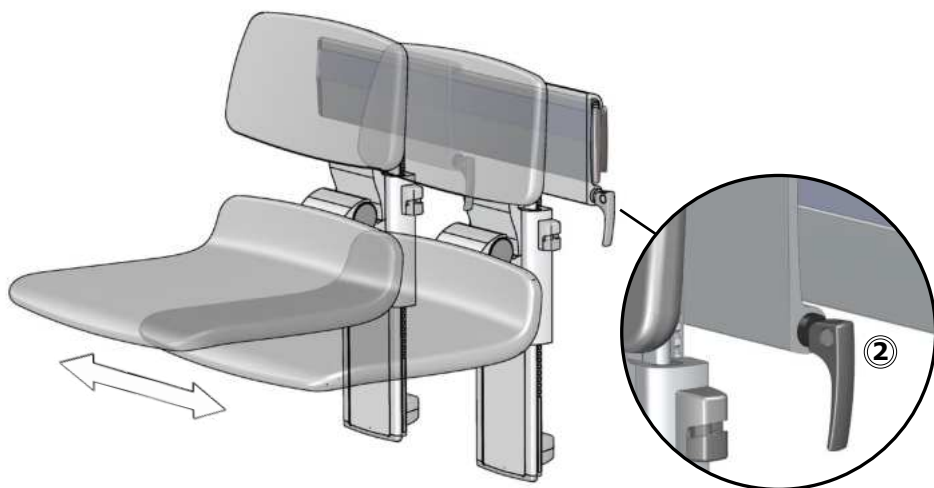
I braccioli possono essere regolati anche indipendentemente dal sedile e dallo schienale.

Per regolare i braccioli verso l'alto, tirare verso l'alto in direzione delle spalle ① fino a raggiungere l'altezza desiderata e fino a che si sente uno scatto.

Per regolare i braccioli verso il basso, sollevare completamente i braccioli, quindi accompagnarli fino alla posizione più bassa, tirare nuovamente verso l'alto fino alla posizione desiderata e fino a che si sente uno scatto.



Regolazione laterale



Rilasciare la maniglia di blocco ② e spostare lateralmente il sedile per doccia. Serrare nuovamente la maniglia di blocco per fissare il sedile in posizione.

Pulizia

Il prodotto deve essere pulito con acqua calda o con un detergente delicato e sapone.

Per conoscere quali prodotti per la pulizia sono stati testati e approvati da Pressalit per il prodotto specifico, visitare il sito Pressalit.com e fare riferimento al codice articolo del prodotto.

Pressalit raccomanda di pulire il prodotto dopo l'installazione.



ATTENZIONE

Leggere sempre la scheda di sicurezza (MSDS) e le istruzioni fornite per detergente, disinfettante o disincrostante e attenersi alle istruzioni per l'uso, la diluizione, il risciacquo, l'asciugatura, la manipolazione e lo stoccaggio in sicurezza dell'agente in questione.

IMPORTANTE

- Non utilizzare autoclave o altro tipo di pulitore a vapore.
- Evitare detersivi aggressivi contenenti acidi.
- Non rivolgere il getto diretto di un'idropulitrice sul prodotto.
- Evitare l'uso di prodotti detersivi o disinfettanti abrasivi, corrosivi o a base di cloro.

Per rimuovere il calcare

Per rimuovere le macchie di calcare sui componenti in alluminio, utilizzare 3 parti di aceto per uso domestico (acidità del 30%) e 7 parti di acqua e successivamente asciugare i componenti con un panno inumidito con acqua pulita.

Nei Paesi con livelli relativamente elevati di calcare nella rete idrica, potrebbe essere necessario rimuovere i depositi di calcare dai componenti in alluminio utilizzando un agente disincrostante come l'acido acetico. Eseguire prima una prova su un'area non visibile quando il prodotto è in uso.

Manutenzione



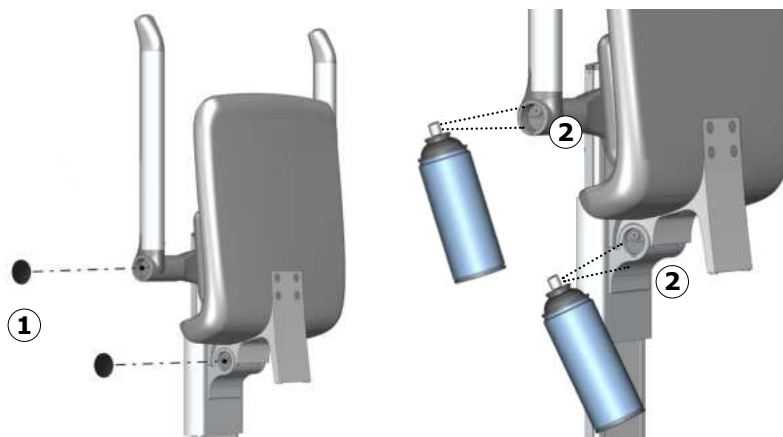
La durata prevista del sedile per doccia è di 10 anni, a condizione che la manutenzione venga eseguita come descritto di seguito:

Rimuovere regolarmente la polvere dalle guide a parete ①. Pulire le guide a parete con il silicone.

Si consiglia di regolare a cadenza settimanale il prodotto portandolo nelle sue posizioni massime e di ripiegare il sedile e i braccioli (se presenti) verso l'alto e verso il basso.

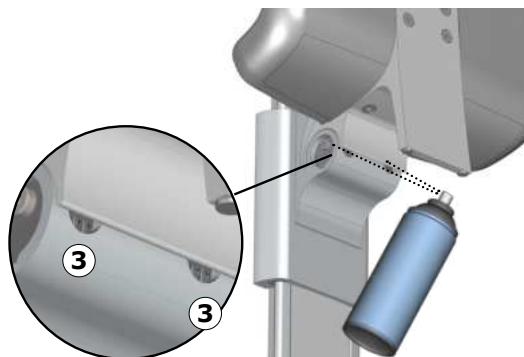
Lubrificazione

Si raccomanda di lubrificare i giunti del sedile e dei braccioli una volta all'anno.

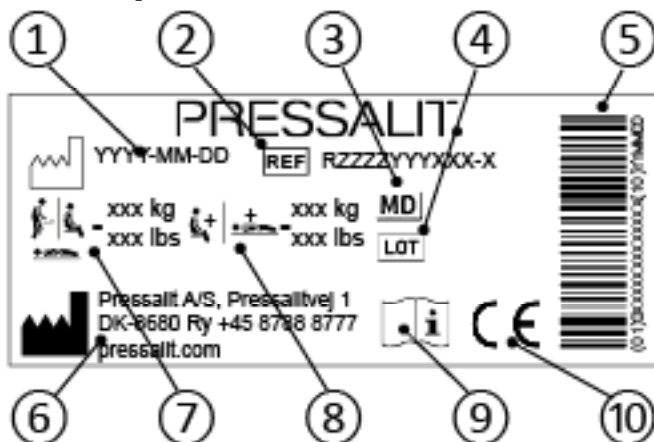


Utilizzare un cacciavite per rimuovere il tappino ① dei giunti.

Lubrificare il giunto ② e i due fori del giunto ③.



Etichetta del prodotto



- ① Data di produzione

- ② Codice articolo

- ③ Dispositivo medico

- ④ Codice lotto

- ⑤ Codice a barre GS1-128

- ⑥ Nome e indirizzo del fabbricante

- ⑦ Peso massimo dell'utilizzatore

- ⑧ Portata massima

- ⑨ Consultare il manuale d'uso

- ⑩ Questi prodotti sono dotati di marchio CE in conformità ai requisiti applicabili relativi a:
 - Regolamento (UE) 2017/745 (5 aprile 2017) relativo ai dispositivi medici.
 - Direttiva 2006/42/CE del Consiglio (del 17 maggio 2006) relativa alle macchine.

La dichiarazione di conformità è disponibile sul sito pressalit.com

Ispezione

Verificare che tutte le viti e i bulloni siano adeguatamente serrati e controllare il funzionamento del prodotto.

Materiali

Materiali	Alluminio anodizzato Acciaio inossidabile Schiuma in poliuretano ABS SEBS
-----------	---

Risoluzione dei problemi

Sintomo	Causa	Azione
Impossibile spostare il prodotto in orizzontale o in verticale.	Le guide a parete potrebbero essere sporche o impolverate.	Pulire le guide a parete e lubrificarle con del silicone.
Impossibile sbloccare la maniglia di blocco per la regolazione in orizzontale.	Il blocco non è regolato correttamente.	Vedere le istruzioni di montaggio.
È difficoltoso sollevare e abbassare i braccioli e/o il sedile.	I giunti del sedile e dei braccioli devono essere lubrificati.	Lubrificare i giunti del sedile e dei braccioli come descritto nella sezione Lubrificazione .

Smaltimento e riciclaggio

Il presidio contiene materiali riutilizzabili. Non sono noti pericoli o rischi associati allo smaltimento del prodotto. Tutti i componenti possono essere smaltiti dopo essere stati puliti e disinfettati.

Quando si smaltisce il prodotto, si consiglia di smontarlo e di suddividerlo a seconda della tipologia di rifiuto da destinare al riciclaggio o alla combustione.

La seguente tabella fornisce informazioni sul riciclaggio e la gestione del prodotto.

Componenti riciclabili	Materiale
Alluminio	L'alluminio è teoricamente riciclabile al 100% senza che vengano compromesse le sue qualità naturali. Il riciclaggio richiede solo il 5% dell'energia utilizzata per produrre l'alluminio primario. La qualità dell'alluminio riciclato è così elevata che può essere riutilizzato più volte, anche nel caso di prodotti anodizzati poiché lo strato anodizzato è una parte naturale dell'alluminio.
Acciaio	L'acciaio può essere riciclato per essere nuovamente fuso e inserito come materiale secondario nella produzione di nuovo acciaio.
SEBS	Se disponibili a livello locale, utilizzare sistemi di selezione e riciclaggio della plastica; in caso contrario l'incenerimento della plastica ha l'ulteriore vantaggio di generare energia da utilizzare, ad esempio, per la produzione combinata di calore ed energia.
ABS	Poiché l'ABS vergine è piuttosto costoso, il riciclaggio dell'ABS è molto conveniente dal punto di vista economico. L'ABS riciclato può essere miscelato con materiale vergine per realizzare prodotti a costi inferiori, pur mantenendo elevata la qualità.
Poliuretano	Come altre materie plastiche, il poliuretano può essere riciclato in due modi principali: il riciclaggio meccanico, in cui il materiale viene riutilizzato nella sua forma di polimero, e il riciclaggio chimico, che riporta il materiale ai suoi diversi costituenti chimici.

it

Spis treści

Instrukcja montażu	122
Oznakowanie operacyjne	122
Symbole używane w niniejszej instrukcji	123
Ogólne wskazówki bezpieczeństwa	124
Użytkowanie zgodne z przeznaczeniem	125
Profil zamierzonego użytkownika	125
Środowisko użytkowania	125
Instrukcja obsługi	126
Składanie siedziska i podłokietników	126
Regulacja siedzenia i oparcia	127
Regulacja podłokietników	128
Regulacja na boki	128
Czyszczenie	129
Usuwanie kamienia	129
Konserwacja	130
Smarowanie	130
Etykieta wyrobu	131
Przegląd serwisowy	132
Materiały	132
Rozwiązywanie problemów	132
Utylizacja i recykling	133

Instrukcja montażu



Instrukcję montażu dołączono do wyrobu. Można ją również pobrać ze strony pressalit.com.

Oznakowanie operacyjne



Oznakowanie operacyjne można pobrać ze strony pressalit.com.

Symbole używane w niniejszej instrukcji

W niniejszej instrukcji oraz w dokumentacji dostarczonej z wyrobem użyto następujących symboli.



OSTRZEŻENIE wskazuje na sytuację potencjalnie niebezpieczną, dopuszczenie do której może skutkować śmiercią lub poważnymi obrażeniami.



UWAGA wskazuje na sytuację potencjalnie niebezpieczną, dopuszczenie do której może skutkować niewielkimi lub umiarkowanymi obrażeniami. Powyższe może również służyć jako ostrzeżenie przed niebezpiecznymi praktykami.



WAŻNE wskazuje na istotną informację dotyczącą postępowania z wyrobem lub jego użytkowania.



INFORMACJA dotyczy praktyk niezwiązanych z bezpieczeństwem ludzi.



Ostrzeżenie przed obrażeniami dłoni



Nr artykułu / wersja



Waga wyrobu



Maksymalna masa użytkownika

Ogólne wskazówki bezpieczeństwa



OSTRZEŻENIE

- Przed użyciem wyrobu przeczytaj i zapoznaj się z instrukcją. Instrukcję przechowuj w pobliżu wyrobu.
- Przestrzegaj niniejszej instrukcji, aby uniknąć wypadków prowadzących do poważnych obrażeń.
- Nigdy nie używaj wyrobu do celów lub w sposób niezgodny z niniejszą instrukcją, ponieważ zagraża to Twojemu bezpieczeństwu i grozi uszkodzeniem wyrobu.
- Upewnij się, że wszystkie osoby montujące lub używające tego wyrobu i jego systemów posiadają niezbędne informacje oraz dostęp do niniejszej instrukcji.



UWAGA

- Przestrzegaj niniejszej instrukcji, aby uniknąć uszkodzenia lub zniszczenia wyrobu.
- Nie dokonuj samodzielnych napraw, demontażu lub montażu, rozbudowy, regulacji lub modyfikacji wyrobu. Czynności takie mogą być przeprowadzane wyłącznie przez firmę Pressalit lub upoważniony przez nią personel.
- Nigdy nie pozwalaj dzieciom obsługiwać tego wyrobu bez nadzoru. Ten wyrób nie jest zabawką.
- Nigdy nie używaj wadliwego lub uszkodzonego wyrobu. Nie używaj uszkodzonego wyrobu przed jego naprawą.

INFORMACJA

- Informacje zawarte w niniejszej instrukcji zakładają właściwe mocowanie wyrobu zgodnie z instrukcją montażu.
- Pressalit nie ponosi odpowiedzialności w sytuacji, gdy wyrób jest użytkowany w jakikolwiek sposób odbiegający od przedstawionego w niniejszej instrukcji.
- Zastrzegamy sobie prawo do zmian niniejszej instrukcji bez wcześniejszego powiadomienia.

Użytkowanie zgodne z przeznaczeniem

Siedzisko prysznicowe jest przeznaczone do siedzenia podczas kąpieli pod prysznicem. Podłokietniki służą do podpierania się podczas siadania na siedzisku prysznicowym i wstawania z niego.

Profil zamierzonego użytkownika

Siedzisko 310 nadaje się dla dzieci i małych dorosłych, a siedzisko 450 jest odpowiednie dla dużych osób. Z obu siedzisk mogą korzystać osoby, których masa nie przekracza **200 kg**.

Maksymalne obciążenie pionowe podłokietników wynosi 55 kg.

Środowisko użytkowania

Wyrób jest przeznaczony do użytkowania w wilgotnym otoczeniu, takim jak łazienka lub umywalnia. Wyrób jest przeznaczony do eksploatacji w temperaturze pokojowej w gospodarstwach domowych, domach opieki i szpitalach.

INFORMACJA

Każde poważne zdarzenie, które nastąpiło w związku z wyrobem, należy zgłosić producentowi i organom służby zdrowia.

Poważne zdarzenie oznacza zdarzenie prowadzące do zgonu pacjenta, użytkownika lub jakiegokolwiek innej osoby, lub powodujące tymczasowe lub stałe pogorszenie się stanu zdrowia danej osoby. Należy zgłaszać każde zdarzenie, które stało się poważnym zdarzeniem lub które może stać się poważnym zdarzeniem.



UWAGA

Powierzchnia produktu może się nagrzewać lub schładzać w przypadku wystawienia na działanie zewnętrznych źródeł ciepła lub zimna (np. światła słonecznego lub mrozu).

INFORMACJA

Jeżeli wyrób jest instalowany w pomieszczeniach o dużej zawartości soli lub chlorków w atmosferze, gwarancja ulega skróceniu z 3 lat do 1 roku.

Sól i chlorki powodują korozję komponentów wyrobu i skracają jego okres eksploatacji. Szkodliwy wpływ tych substancji może zostać zredukowany przez codzienne spłukiwanie wyrobu bieżącą wodą.

Instrukcja obsługi



Składanie siedziska i podłokietników

Rozłóż siedzisko przyszcicowe i podłokietniki (jeśli są zamontowane) do końca w dół.

Nieużywane siedzisko należy złożyć. Gdy siedzisko i podłokietniki są prawidłowo złożone, usłyszysz kliknięcie.



Zachowaj ostrożność w pobliżu ruchomych części zamknięcia, aby uniknąć obrażeń rąk ①.



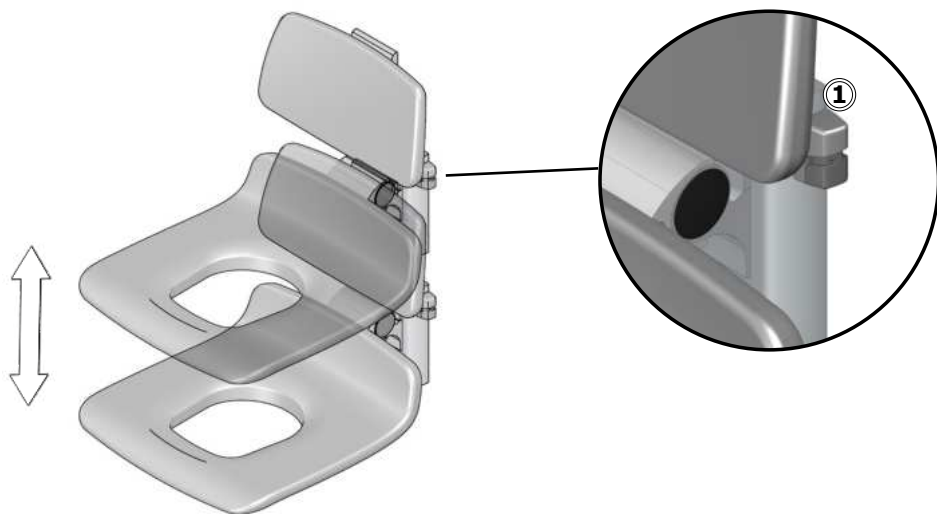
OSTRZEŻENIE

Podłokietniki nie są odpowiednie do obciążenia poziomego, np. jako pomoc przy przenoszeniu na bok z wózka inwalidzkiego na siedzisko przyszcicowe.

WAŻNE

Upewnij się, że siedzisko zostało odpowiednio wysuszone po wystawieniu na działanie wody.

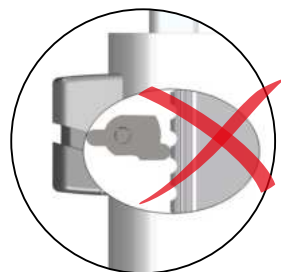
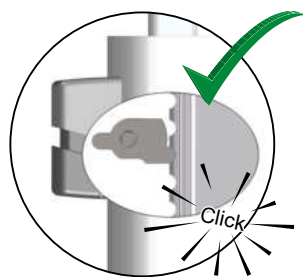
Regulacja siedzenia i oparcia



Aby przesunąć siedzisko do góry, pociągnij je w górę.

Aby przesunąć siedzisko w dół, naciśnij przycisk blokujący ① i przytrzymaj go, przesuając jednocześnie siedzisko w dół. Zwolnij przycisk blokujący, aby zablokować siedzisko w danym położeniu.

Upewnij się, że sworzень blokady jest osadzony w rowku.

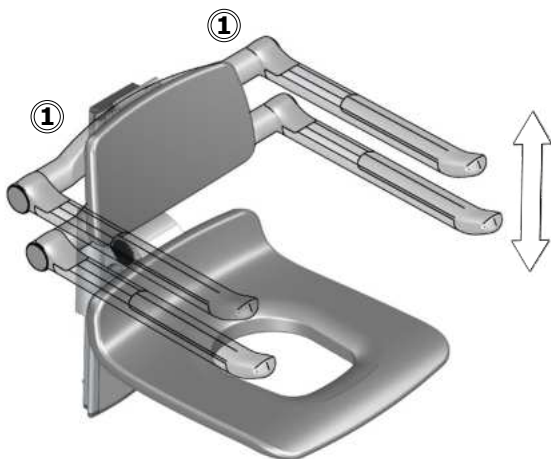


Regulacja podłokietników

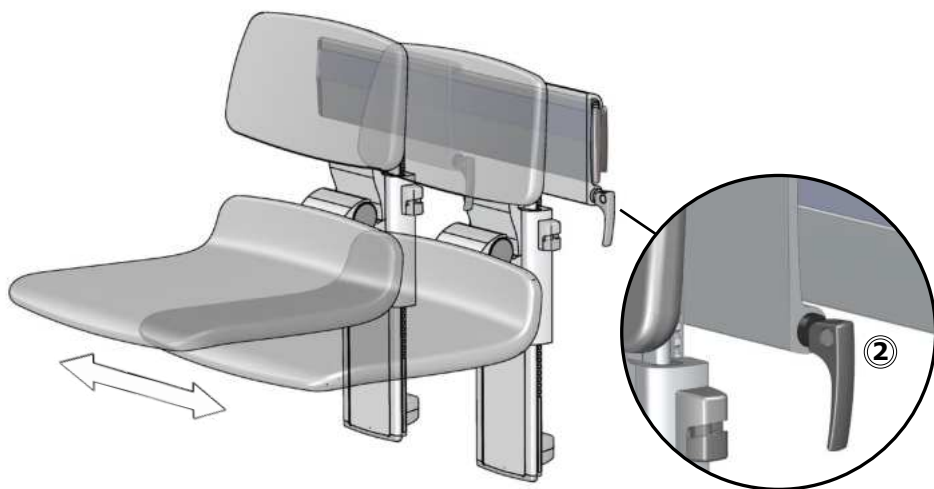
Podłokietniki można regulować niezależnie od siedzenia i oparcia.

Aby przesunąć podłokietniki w górę, pociągnij w górę ramiona ①, aż znajdą się na odpowiedniej wysokości i usłyszysz kliknięcie.

Aby przesunąć podłokietniki w dół, pociągnij ramiona maksymalnie w górę, opuść je maksymalnie w dół, a następnie pociągnij w górę, aż znajdą się na odpowiedniej wysokości i usłyszysz kliknięcie.



Regulacja na boki



Zwolnij dźwignię blokującą ② i przesunij siedzisko przysznicowe w bok. Dokręć dźwignię blokującą, aby zablokować siedzisko w wybranej pozycji.

Czyszczenie

Wyrób należy czyścić gorącą wodą lub łagodnym środkiem czyszczącym na bazie mydła. Aby sprawdzić, które środki czyszczące zostały przetestowane i zatwierdzone przez firmę Pressalit dla tego konkretnego wyrobu, należy odwiedzić stronę internetową Pressalit.com i odwołać się do numeru katalogowego wyrobu. Firma Pressalit zaleca wyczyszczenie produktu po zamontowaniu.

UWAGA

Zawsze należy najpierw zapoznać się z kartą charakterystyki materiału oraz instrukcjami dołączonymi do środka czyszczącego, dezynfekującego lub odkamieniającego oraz postępować zgodnie z instrukcjami bezpiecznego stosowania, rozcieńczania, spłukiwania, suszenia, obchodzenia się ze środkiem i jego przechowywania.

WAŻNE

- Nie wolno używać autoklawów lub innych rodzajów czyszczenia parowego.
- Należy unikać stosowania zbyt silnych środków czyszczących zawierających kwasy.
- Nie wolno bezpośrednio spryskiwać wyrobu środkiem czyszczącym pod ciśnieniem.
- Należy unikać stosowania ściernych, żrących lub wyprodukowanych na bazie chloru środków czyszczących i dezynfekujących.

Usuwanie kamienia

Aby usunąć kamień z elementów aluminiowych, należy użyć roztworu octu spożywczego o stężeniu 30%, w proporcji 3 części octu na 7 części wody, a następnie przetrzeć elementy zamoczoną w czystej wodzie i wyjętą ściereczką.

Jeżeli lokalnie dostarczana woda jest twarda, konieczne może okazać się usuwanie kamienia z elementów aluminiowych za pomocą odkamieniaczy, takich jak kwas octowy. W takim przypadku należy najpierw przeprowadzić próbę na niewidocznych powierzchniach czyszczonych elementów.

Konserwacja



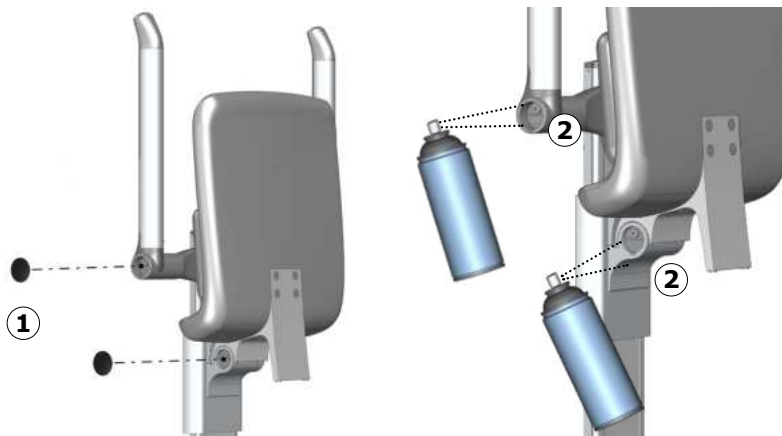
Przewidywany okres eksploatacji siedziska prysznicowego wynosi 10 lat pod warunkiem przeprowadzania konserwacji w opisany poniżej sposób:

Regularnie usuwaj kurz z prowadnic ściennych ①. Wycieraj prowadnice smarem silikonowym.

Zaleca się cotygodniowe ustawianie produktu w pozycji maksymalnej oraz składanie i rozkładanie siedzenia i podłokietników (jeśli są zamontowane).

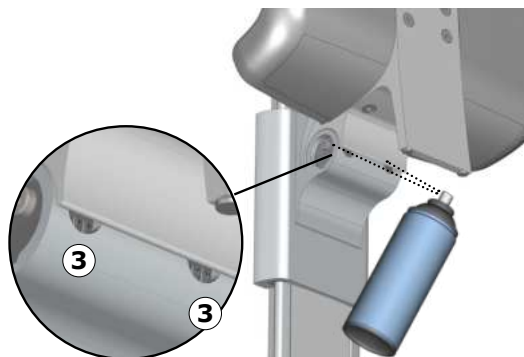
Smarowanie

Zaleca się smarowanie przegubów siedzenia i podłokietników raz w roku.

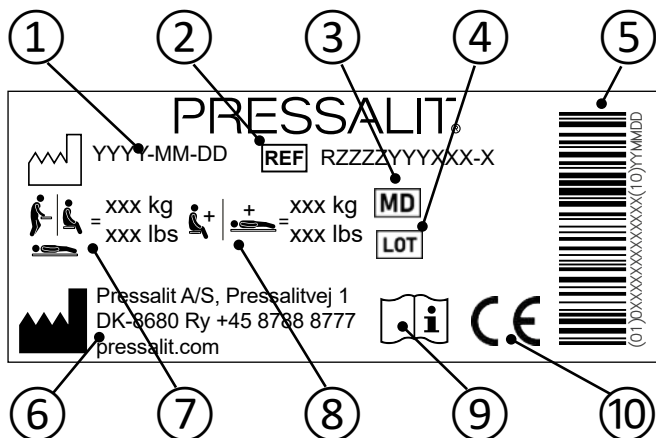


Użyj śrubokrętu, aby usunąć pokrywę ① i odsłonić przeguby.

Nasmaruj przegub ② i dwa otwory odsłaniające przeguby ③.



Etykieta wyrobu



- ① Data produkcji

- ② Numer artykułu

- ③ Urządzenie medyczne

- ④ Kod partii

- ⑤ Kod kreskowy GS1-128

- ⑥ Nazwa i adres producenta

- ⑦ Maksymalna waga użytkownika

- ⑧ Maksymalne obciążenie

- ⑨ Zapoznaj się z instrukcją obsługi

Produkty te są oznaczone znakiem CE zgodnie z odpowiednimi wymaganiami w:

- ⑩
 - Rozporządzenie (UE) 2017/745 (z dnia 5 kwietnia 2017 r) w sprawie wyrobów medycznych.
 - Dyrektywy Rady 2006/42/WE (z dnia 17 maja 2006 r) w sprawie maszyn.

Deklarację zgodności można znaleźć na stronie www.pressalit.com

Przegląd serwisowy

Upewnij się, że wszystkie śruby i wkręty są odpowiednio dokręcone. Sprawdź, czy urządzenie działa prawidłowo.

Materiały

Materiały	Aluminium anodowane Stal nierdzewna Pianka poliuretanowa ABS SEBS
-----------	---

Rozwiązywanie problemów

Objaw	Przyczyna	Działanie
Produktu nie daje się przesunąć w bok, w górę lub w dół.	Prowadnice mogą być zabrudzone lub zakurzone.	Wyczyść prowadnice i nasmaruj je smarem silikonowym.
Dźwignia blokująca do regulacji w poziomie nie blokuje się.	Blokada nie jest prawidłowo wyregulowana.	Sprawdź instrukcję montażu.
Podłokietniki i/lub siedzisko ciężko się składa i rozkłada.	Należy nasmarować przeguby siedziska i podłokietników.	Nasmarować przeguby siedziska i podłokietników jak opisano z sekcji Smarowanie .

Utylizacja i recykling

Wyrób zawiera materiały, które można poddawać recyklingowi. Nie istnieją znane zagrożenia lub ryzyka związane z usuwaniem wyrobu. Wszystkie komponenty można utylizować po ich uprzednim wyczyszczeniu i zdezynfekowaniu.

W przypadku usuwania wyrobu zalecamy rozmontowanie go i podzielenie odpadów na grupy do recyklingu lub spalania.

Poniższa tabela zawiera informacje dotyczące recyklingu i postępowania z wyrobem.

Komponenty, które można poddać recyklingowi	Materiał
Aluminium	Teoretycznie aluminium w 100% nadaje się do recyklingu bez utraty swoich naturalnych właściwości. Potrzeba tylko 5% energii zużytej do produkcji aluminium pierwotnego. Jakość aluminium z recyklingu jest tak wysoka, że można je wykorzystywać wielokrotnie, nawet w przypadku wyrobów anodowanych, ponieważ warstwa tlenku jest naturalną częścią aluminium.
Stal	Stal może zostać poddana recyklingowi poprzez ponowne przetopienie i włączenie jej jako materiału wtórnego do produkcji nowej stali.
SEBS	Należy stosować systemy sortowania i recyklingu tworzyw sztucznych tam, gdzie jest to lokalnie możliwe, w innym przypadku spalanie tworzyw sztucznych niesie dodatkową korzyść w postaci energii, którą można wykorzystać na przykład do skojarzonego wytwarzania energii elektrycznej i ciepła.
ABS	ABS z pierwszego tłoczenia jest dość drogie, w związku z czym jego recykling jest bardzo atrakcyjny pod względem ekonomicznym. Tworzywo ABS pochodzące z recyklingu można mieszać z materiałem z pierwszego tłoczenia, aby wytwarzać produkty niższym kosztem przy jednoczesnym zachowaniu wysokiej jakości.
Poliuretan	Podobnie jak inne tworzywa sztuczne, poliuretan może być poddany recyklingowi na dwa podstawowe sposoby. Pierwszy z nich to recykling mechaniczny, w którym materiał jest ponownie wykorzystywany w postaci polimeru. Drugi to recykling chemiczny, który rozkłada tworzywo na różne składniki chemiczne.

Obsah

Návod k montáži	134
Provozní značení	134
Symboly použité v tomto návodu	135
Obecná bezpečnost	136
Určené použití	137
Profil zamýšleného uživatele	137
Provozní prostředí	137
Návod k obsluze	138
Sklápění sedátek a loketních opěrek	138
Nastavení sedátka a opěradla	139
Nastavení loketních opěrek	140
Nastavení do stran	140
Čištění	141
Odstranění vodního kamene	141
Údržba	142
Mazání	142
Štítek výrobku	143
Servisní prohlídka	144
Materiály	144
Řešení potíží	144
Likvidace a recyklace	145

Návod k montáži



Součástí výrobku je návod k montáži. Lze jej také stáhnout ze stránek pressalit.com.

Provozní značení



Provozní značení si můžete stáhnout ze stránek pressalit.com.

Symbyoly použitý v tomto návodu

V tomto návodu a související dokumentaci dodávané s výrobkem jsou použity následující symbyoly.

VAROVÁNÍ

VAROVÁNÍ označuje potenciálně nebezpečnou situaci, která by mohla mít za následek smrt nebo vážné zranění, pokud se jí nezabrání.

POZOR

POZOR označuje potenciálně nebezpečnou situaci, která může vést k lehkému nebo středně těžkému zranění, pokud se jí nezabrání. Může se také používat k varování před nebezpečnými postupy.

DŮLEŽITÉ

DŮLEŽITÉ označuje důležité informace o zacházení a používání výrobku.

UPOZORNĚNÍ

UPOZORNĚNÍ se používá k řešení postupů, které nesouvisejí s osobní bezpečností.



Varování před zraněním rukou



Číslo výrobku / verze



Hmotnost výrobku



Max. hmotnost uživatele

Obecná bezpečnost

VAROVÁNÍ

- Před použitím si přečte celý návod k použití a porozumí mu. Návod k použití má být v blízkosti výrobku.
- Abyste předešli nehodám s vážným zraněním osob, dodržte tento návod.
- Tento výrobek nikdy nepoužívejte ani s ním nemanipulujte jiným způsobem, než je uvedeno v tomto návodu, protože to může ohrozit vaši bezpečnost a způsobit poškození výrobku.
- Ujistěte se, že každý, kdo bude výrobek a jeho systémy instalovat nebo používat, má potřebné informace a přístup k tomuto návodu.

POZOR

- Dodržte tyto pokyny, aby nedošlo k poškození nebo zničení výrobku.
- Neprovádíte na tomto výrobku opravy, nerozebírejte ho a nesestavujte, neprovádíte rozšiřování, dodatečné seizování nebo úpravy. Tyto úkony musí provádět pouze společnost Pressalit nebo osoby pověřené společností Pressalit.
- Nikdy nedovolte dětem, aby obsluhovaly tento výrobek, pokud nejsou pod dohledem. Výrobek není určen na hraní.
- Nikdy výrobek nepoužívejte, pokud je vadný nebo poškozený. Vadný výrobek nepoužívejte dříve, než bude opraven.

UPOZORNĚNÍ

- Informace v tomto návodu jsou založeny na správné montáži výrobku podle našeho montážního návodu.
- Společnost Pressalit nenesou odpovědnost, pokud je výrobek používán jiným způsobem, než je popsáno v návodu.
- Vyhrazujeme si právo na změnu tohoto návodu bez předchozího upozornění.

Určené použití

Sprchové sedátko slouží k sezení při sprchování.

Loketní opěrky jsou určeny k podpírání při sezení a vstávání ze sprchového sedátka.

Profil zamýšleného uživatele

Sedátko 310 je vhodné pro děti a dospělé malého vzrůstu. Sedátko 450 unese větší osoby. Obě sprchová sedátka mohou používat osoby, jejichž hmotnost nepřesahuje **200 kg**.

Maximální svislé zatížení loketních opěrek je 55 kg.

Provozní prostředí

Pro vnitřní použití ve vlhkém prostředí, jako je koupelna nebo umývárna. Výrobek je určen k použití při pokojové teplotě v domácnostech, pečovatelských domech a nemocnicích.

UPOZORNĚNÍ

Jakýkoli závažný incident, ke kterému došlo v souvislosti s výrobkem, by měl být nahlášen výrobcí a zdravotnickým orgánům.

Za závažný incident je považována taková událost, která vede k úmrtí pacienta nebo jiné osoby nebo která způsobí dočasné nebo trvalé zhoršení zdravotního stavu osoby. Všechny události, které vedly nebo by mohly vést k závažnému incidentu, musí být hlášeny.



POZOR

Povrch výrobku může být horký a/nebo studený, pokud je vystaven vnějším zdrojům tepla nebo chladu (např. slunečnímu záření nebo mrazu).

UPOZORNĚNÍ

Pokud je výrobek instalován v prostředí s vysokým obsahem soli nebo chloridů, záruka se zkracuje z běžných 3 let na 1 rok.

Sůl a chloridy působí na součásti výrobku korozivně a snižují jeho životnost. Škodlivé účinky však lze omezit, pokud se výrobek denně sprchuje vodou z vodovodu.

Návod k obsluze



Sklápění sedátek a loketních opěrek

Sprchové sedátko a loketní opěrky (jsoou-li součástí výrobku) vyklopte úplně dolů.

Pokud jej nepoužíváte, sklopte jej zpět. Po správném sklopení sprchového sedátka a loketních opěrek se ozve cvaknutí.



Dbejte na to, abyste si v blízkosti zavíraných pohyblivých částí neporanili ruce ①.

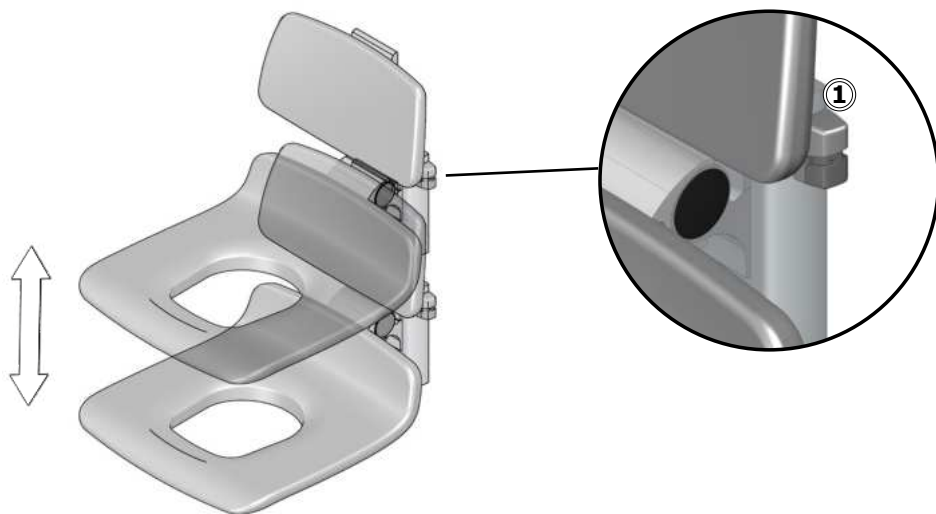
VAROVÁNÍ

Loketní opěrky nejsou určeny pro vodorovné zatížení, např. jako pomůcka pro boční přesun z invalidního vozíku na sedátko ve sprše.

DŮLEŽITÉ

Dbejte na to, aby bylo sedátko, kdykoli bylo vystaveno vodě, následně vysušeno.

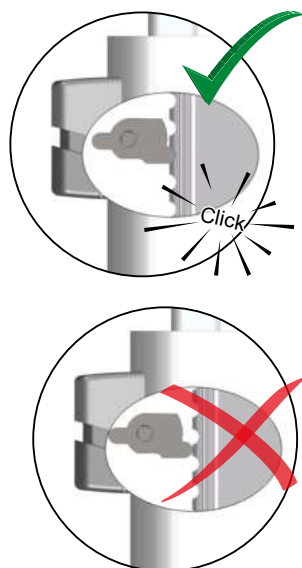
Nastavení sedátka a opěradla



Chcete-li sprchové sedátko nastavit směrem nahoru, vytáhněte je nahoru.

Pro nastavení směrem dolů stiskněte zajišťovací tlačítko ① a držte je stisknuté a současně sprchové sedátko posouvejte směrem dolů. Uvolněním zajišťovacího tlačítka zajistíte sprchové sedátko na místě.

Zkontrolujte, zda je kolík zajišťovacího tlačítka zasunutý v zárezu.



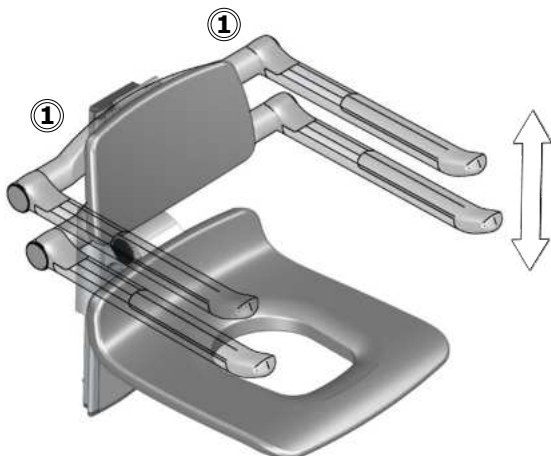
CS

Nastavení loketních opěrek

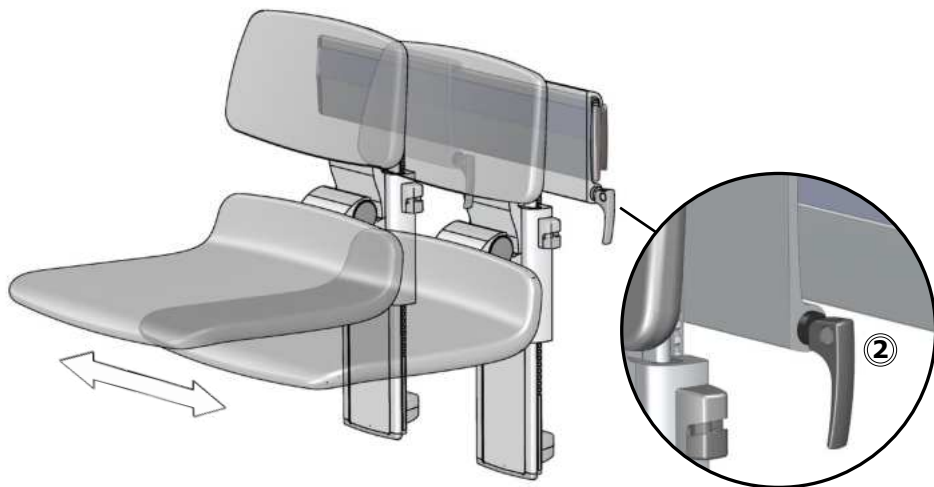
Loketní opěrky lze nastavit nezávisle na sedátku a opěradle.

Chcete-li nastavit loketní opěrky směrem nahoru, táhněte za ramena ① směrem nahoru, dokud nedosáhnete požadované výšky a neuslyšíte cvaknutí.

Chcete-li loketní opěrky rukou nastavit směrem dolů, vytáhněte je až nahoru, poté je podepřete až do nejnižší polohy a poté je opět vytáhněte nahoru do požadované polohy, dokud neuslyšíte cvaknutí.



Nastavení do stran



Uvolněte zajišťovací rukojeť ② a sprchové sedátko posuňte do strany. Opětovným dotažením zajišťovací rukojeti zajistíte sedátko na místě.

Čištění

Výrobek se čistí horkou vodou nebo jemným mýdlovým čisticím prostředkem. Chcete-li zjistit, které čisticí prostředky byly testovány a schváleny společností Pressalit pro konkrétní výrobek, navštivte stránky Pressalit.com a vyhledejte číslo polohy výrobku. Společnost Pressalit doporučuje po instalaci výrobek vyčistit.



POZOR

Vždy si přečtěte bezpečnostní list materiálu (BL) a dodané pokyny k čisticímu, dezinfekčnímu nebo odvěpovacímu prostředku a dodržte pokyny pro bezpečné použití, omytí, oplachování, sušení, manipulaci a skladování prostředku.

DŮLEŽITÉ

- Nepoužívejte autokláv ani jiný typ parního čističe.
- Nepoužívejte agresivní čisticí prostředky obsahující kyseliny.
- Na výrobek nikdy nestíkejte přímo vysokotlakým čističem.
- Nepoužívejte abrazivní a korozivní čisticí a dezinfekční prostředky, ani prostředky na bázi chlóru.

Odstranění vodního kamene

Chcete-li odstranit stopy vodního kamene na hliníkových dílech, použijte 3 díly 30% octa pro domácnost na 7 dílů vody a poté díly otřete hadříkem vyždímaným v čisté vodě.

V zemích s relativně vysokým obsahem vápence v dodávané vodě může být nutné odstranit vápenaté usazeniny z hliníkových částí pomocí odvěpovacího prostředku, jako je kyselina octová. Nejprve to vyzkoušejte na místě, které není při používání výrobku viditelné.

Údržba



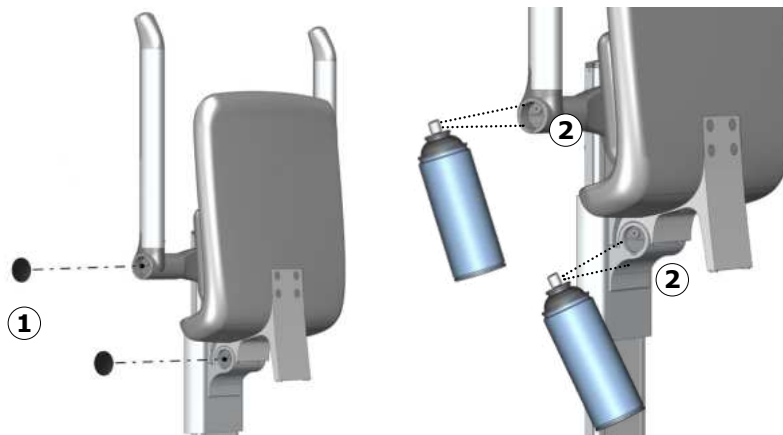
Předpokládaná životnost sprchového sedátka je 10 let za předpokladu, že je prováděna údržba podle níže uvedeného popisu:

Pravidelně odstraňujte prach z nástěnných kolejnic ①. Nástěnné kolejnice otřete silikonem.

Doporučuje se každý týden nastavit výrobek do maximálních poloh a sklopit sedátko a loketní opěrky (je-li jimi vybaveno) nahoru a dolů.

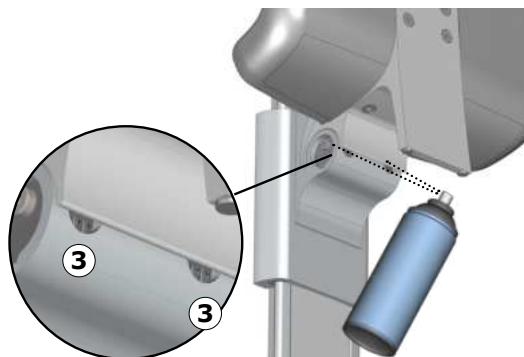
Mazání

Jednou ročně se doporučuje promazat klouby sedátka a loketních opěrek.

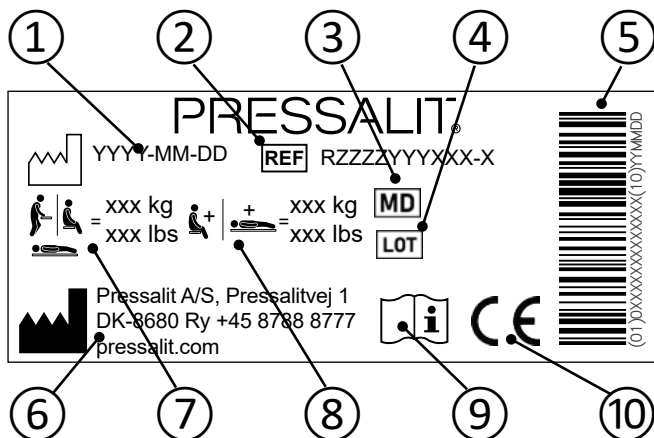


Pomocí šroubováku sejměte kryt ① kloubů.

Promažte kloub ② a oba kloubové otvory ③.



Štítek výrobku



- ① Datum výroby
- ② Číslo výrobku
- ③ Zdravotnický prostředek
- ④ Kód šarže
- ⑤ Čárový kód GS1-128
- ⑥ Název a adresa výrobce
- ⑦ Maximální hmotnost uživatele
- ⑧ Maximální zatížení
- ⑨ Prostudujte si návod k použití.

⑩

Tyto výrobky jsou označeny značkou CE v souladu s příslušnými požadavky v:

- nařízení (EU) 2017/745 (ze dne 5. dubna 2017) o zdravotnických prostředcích.
- smrnici Rady 2006/42/ES (ze dne 17. kvtna 2006) o strojních zařízeních.

Prohlášení o shodě lze nalézt na stránkách pressalit.com

Servisní prohlídka

Zkontrolujte, zda jsou všechny šrouby a svorníky řádně dotaženy, a zkontrolujte funkčnost výrobku.

Materiály

Materiály	Eloxovaný hliník Nerezová ocel Polyuretanová pěna ABS (akrylonitrilbutadienstyren) SEBS (styren-ethylen-butylen-styren)
-----------	---

Řešení potíží

Příznak	Příčina	Opatření
Výrobkem nelze posunovat do strany nebo nahoru a dolů.	Na nástěnných kolejnicích se mohou nacházet nečistoty nebo prach.	Nástěnné kolejnice vyčistěte a namažte je silikonem.
Zajišťovací rukojeť pro vodorovné nastavení se nezajišťuje.	Zajištění není správně nastaveno.	Viz návod k montáži.
Loketní opěrky a/nebo sedátko se obtížně vyklápí a sklápí.	Klouby sedátka a loketních opěrek je třeba promazat.	Namažte klouby sedátka a loketních opěrek, jak je popsáno níže v části Mazání .

Likvidace a recyklace

Výrobek obsahuje materiály pro opakované použití. Nejsou známa žádná nebezpečí nebo rizika, která jsou spojena s likvidací výrobku. Všechny součásti lze po vyčištění a dezinfekci zlikvidovat.

Při likvidaci výrobku doporučujeme výrobek rozebrat a rozdělit na různé skupiny odpadu pro recyklaci nebo spálení.

Následující tabulka obsahuje informace o recyklaci a manipulaci s výrobkem.

Recyklovatelné součásti	Materiál
Hliník	Hliník je teoreticky 100% recyklovatelný, aniž by ztratil své přirozené vlastnosti. Vyžaduje pouze 5 % energie spotřebované na výrobu primárního hliníku. Kvalita recyklovaného hliníku je tak vysoká, že jej lze používat opakovaně, a to i v případě eloxovaných výrobků, protože eloxovaná vrstva je přirozenou součástí hliníku.
Ocel	Ocel lze recyklovat tak, že se znovu roztaví a použije jako druhotný materiál při výrobě nové oceli.
SEBS (styren-ethylen-butylen-styren)	Pokud jsou v místě dostupné systémy třídění a recyklace plastů, využijte je, jinak je spalování plastů přínosem pro výrobu energie, kterou lze využít například pro kombinovanou výrobu tepla a elektřiny.
ABS (akrylonitril-butadienstyren)	Vzhledem k tomu, že primární ABS je poněkud drahý, recyklace ABS je z ekonomického hlediska velmi atraktivní. Recyklovaný ABS může být míchán s původním materiálem, díky čemuž se vyrábějí výrobky s nižšími náklady při zachování vysoké kvality.
Polyuretan	Stejně jako ostatní plasty lze i polyuretan recyklovat dvěma základními způsoby: mechanickou recyklací, při níž se materiál znovu použije ve své polymerní formě, a chemickou recyklací, při níž se materiál opět rozkládá na různé chemické složky.

目录

安装说明.....	146
操作详解图.....	146
本手册使用的标志.....	147
一般安全要求.....	148
用途.....	149
使用者说明.....	149
工作环境.....	149
操作说明.....	150
折叠座椅和扶手.....	150
调节座椅和靠背.....	151
调节扶手.....	152
水平调节.....	152
清洁.....	153
清除水垢.....	153
维护.....	154
润滑.....	154
产品标签.....	155
维修检查.....	156
材料.....	156
故障排解.....	156
处理与回收.....	157

安装说明



本产品随附安装说明。也可从 pressalit.com 下载。

操作详解图



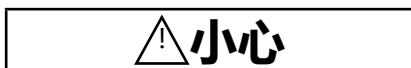
操作详解图可以在 pressalit.com 下载。

本手册使用的标志

本手册和本产品随附的相关文件使用以下标志。



警告提醒使用者注意潜在危险状况，如果未能避开这种状况，可能导致人员死亡或严重伤害。



小心提醒使用者注意潜在危险状况，如果未能避开这种状况，可能导致轻度或中度伤害。该标志也可用于提醒不安全行为。



重要信息提醒使用者注意操作和使用本产品的重要信息。



注意用于提醒与人身安全无关的行为。



手部受伤警告



货号/版本



产品重量



最大使用者体重

一般安全要求

警告

- 使用前，请通读并理解本手册。将手册存放在设备附近。
- 按照本手册操作，避免发生造成严重人身伤害的意外。
- 使用或操作本产品时，切勿采用本手册并未介绍的其他方式，因为这会危及您的安全并损坏产品。
- 确保安装或使用本产品及其系统的人员均掌握必要信息并可查阅本手册。

小心

- 请遵守相关说明，避免产品受损或损毁。
- 切勿维修、拆卸或组装、扩展、重新调整或改装本产品。这些操作必须由 Pressalit 或 Pressalit 授权的人士执行。
- 若无人看管，请不要让儿童操作本产品。本产品不适用于娱乐游戏。
- 产品如有缺陷或损坏，切勿使用。缺陷产品待修理后方可使用。

注意

- 本手册资料以按照组装说明正确安装本产品为基础。
- 如果以指南所述以外的方法使用本产品，Pressalit 概不负责。
- 我们保留修订本手册的权利，恕不另行通知。

用途

淋浴椅供用户在淋浴时使用。
扶手用于提供支撑，帮助使用者在淋浴椅上坐稳或起身。

使用者说明

310 座椅适合小孩和体型较小的成年人，450 座椅则适合体型较大的人群。两款淋浴椅均能承载体重不超过 **200 公斤** 的个人。

扶手最大垂直载重为 55 公斤。

工作环境

在室内潮湿环境中使用，如浴室或盥洗室。本产品在室温下使用，适用于私人住所、疗养院和医院。

注意

任何与本产品有关的严重事故都应报告给制造商和卫生主管部门。
严重事故是指导致患者、使用者或任何其他人员出现暂时或永久性健康状况恶化甚至死亡的事件。必须报告任何导致或可能导致严重事故的事件。

小心

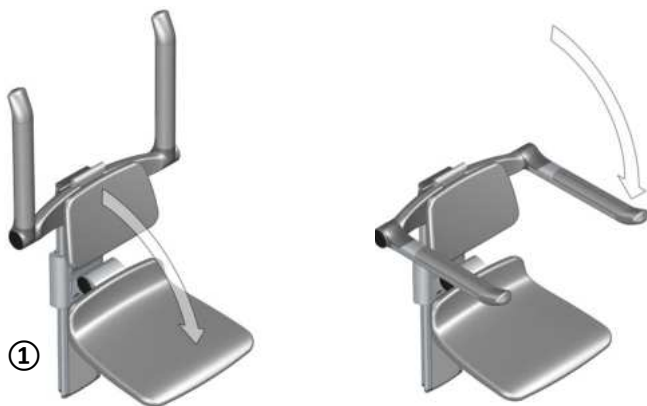
如果产品暴露的外部环境过热或者过冷（例如阳光或者霜冻下），产品表面可能会变得灼热/或冰冷。

注意

如果产品安装在高盐或高浓度氯化物环境中，保修期将从正常的 3 年减至 1 年。

盐和氯化物对产品元件有腐蚀性，并会导致产品预期使用寿命缩短。然而，如果每天用自来水冲洗产品，损坏影响可以减小。

操作说明



折叠座椅和扶手

将淋浴椅和扶手完全向下展开（若已安装）。在不用时，向上折回。正确向上折回淋浴椅和扶手时，您可以听到“咔嗒”声。



靠近闭合活动部件时，要特别小心，以免双手受伤①。

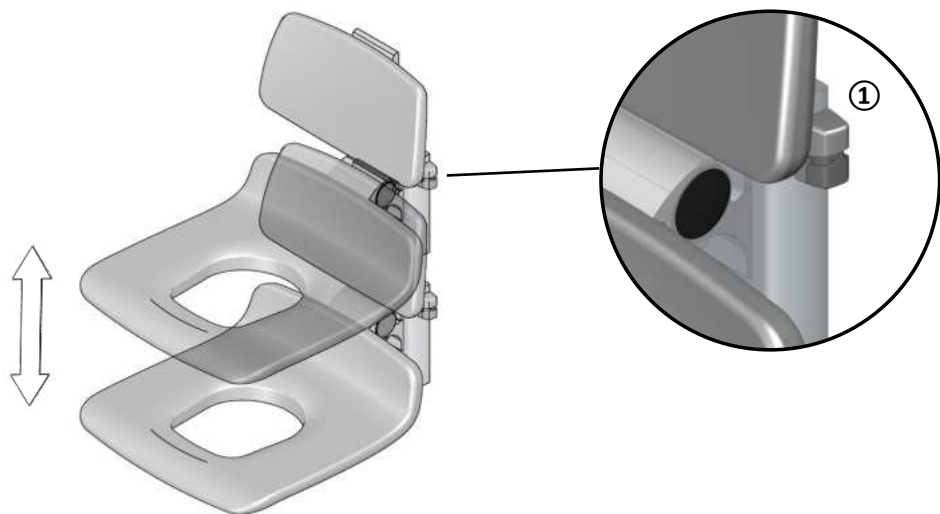
警告

扶手不适合承受水平负载，例如，不宜作为将使用者从轮椅平移至淋浴椅的辅助工具。

重要信息

如果座椅潮湿，请擦干。

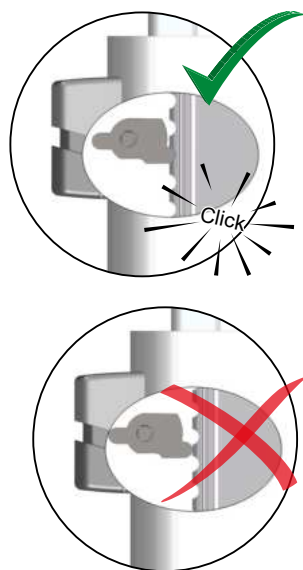
调节座椅和靠背



为了向上调整，请向上拉起淋浴椅。

要向下调整，请挤压锁定按钮 ①，保持挤压并向下移动淋浴椅。松开锁定按钮以便把淋浴椅固定在合适的位置。

确保锁定按钮栓啮合进凹槽。



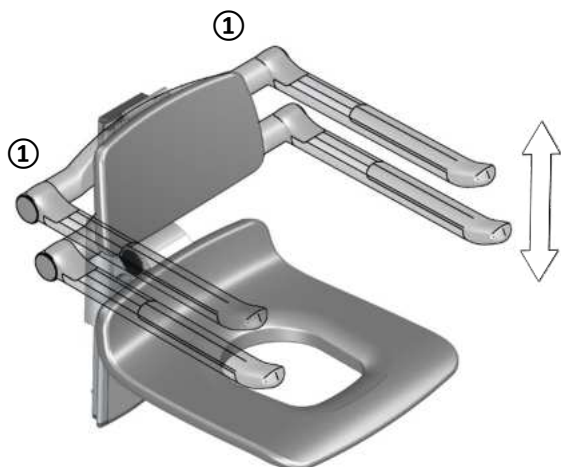
调节扶手

扶手也可以与座椅和靠背分开调节。

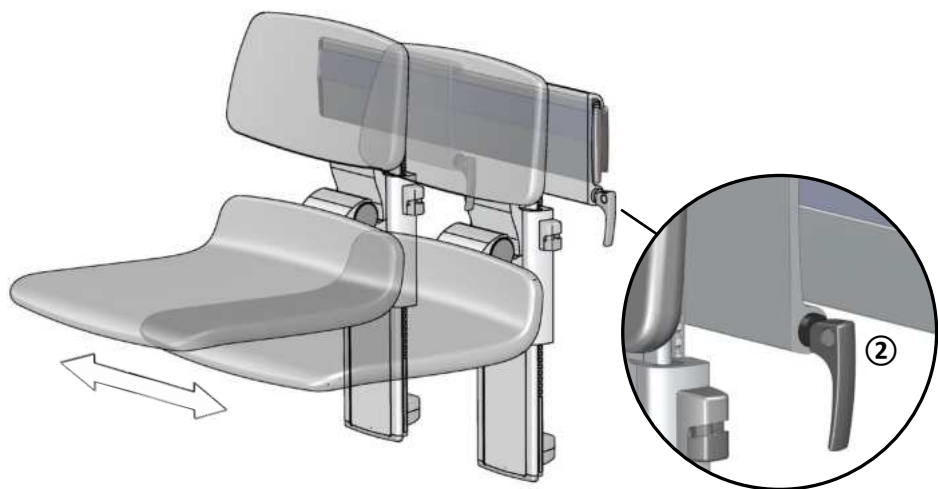
要向上调节扶手，请握住肩部

① 向上拉起扶手，直至达到所需高度且听到“咔嗒”声。

要向下调节扶手，请将扶手拉至最高点，然后将扶手降至最低点，之后再将扶手向上拉至所需高度并听到“咔嗒”声。



水平调节



松开锁定把手②并水平移动淋浴椅。然后，再次锁紧把手以便将淋浴椅固定在合适的位置。

清洁

应使用热水或温和的肥皂清洁剂来清洁本产品。

如需要了解适用于此特殊产品并经过 Pressalit 测试且认可的清洁用品，请浏览网站 Pressalit.com，并参照货号。

Pressalit 建议产品安装后进行清洁。



务必阅读材料安全数据表 (MSDS) 和随附的清洁、消毒或除垢剂说明，并按照说明安全使用、稀释、冲洗、干燥、处理和储存溶剂。

重要信息

- 切勿使用高压灭菌器或其他类型的蒸汽清洁器。
- 避免使用含酸的强力清洁剂。
- 切勿使用高压清洁器直接喷洗本产品。
- 避免使用磨蚀性、腐蚀性或氯化物型的清洁或消毒产品。

清除水垢

如需清除铝部件上的水垢，可用 3 份 30% 的家庭食用醋配 7 份水进行清洁，然后用干净的湿布擦拭部件。

在水中石灰量相对较高的国家/地区，可能需要使用醋酸等除垢剂清除铝部件中的水垢沉淀物。如果本产品已投入使用，可先在隐蔽部位进行测试。

维护



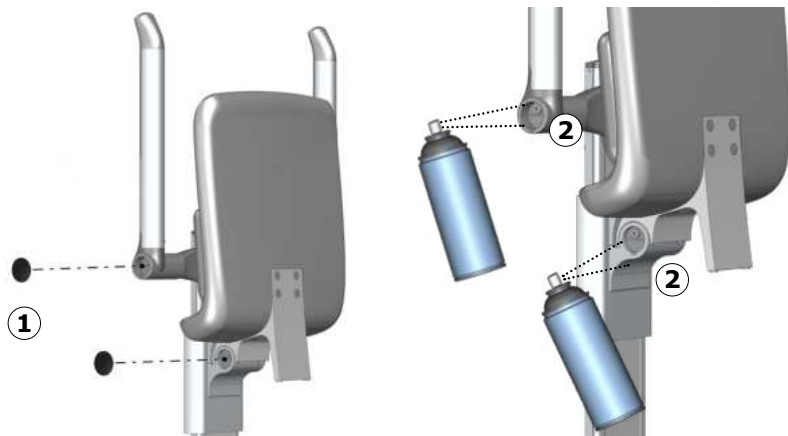
① 若按下述说明进行维护，淋浴椅的预计使用年限为 10 年：

定期清扫墙轨 ① 上的灰尘。使用硅酮擦拭墙轨。

建议每周执行一次：将产品升至最高点，然后，上下折叠座椅和扶手（若已安装）。

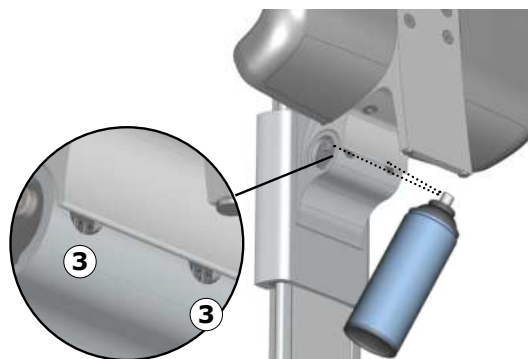
润滑

建议每年润滑一次座椅和扶手的接头。

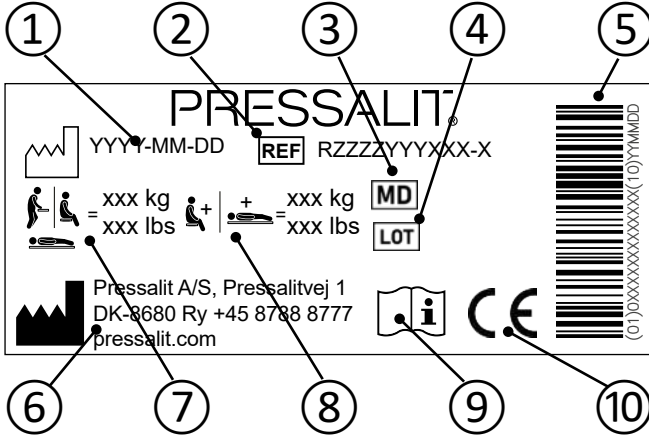


用螺丝刀卸下接头的盖子 ①。

润滑接头 ② 和两个接头孔 ③。



产品标签



① 生产日期

② 货号

③ 医疗器械

④ 批次代码

⑤ GS1-128 条形码

⑥ 生产商名称和地址

⑦ 最大使用者体重

⑧ 最大荷载

⑨ 请参考使用手册

⑩ 本产品根据以下相关要求加贴 CE 标志：
• 欧洲医疗器械法规 2017/745 (2017 年 4 月 5 日)
• 欧盟机械指令 2006/42/EC (2006 年 5 月 17 日)
如需符合性声明，请访问 pressalit.com。

维修检查

确保所有螺钉和螺栓均正确拧紧并检查产品的功能。

材料

材料	阳极氧化铝 不锈钢 聚氨酯泡沫 ABS 塑料 SEBS
----	---

故障排解

现象	原因	操作
本产品不能水平平行移动或上下移动。	墙轨中可能存在污垢或灰尘。	清洁墙轨并使用硅酮润滑。
水平调节的锁定把手不能锁定。	锁扣未正确调节。	请参阅安装说明。
折放扶手和/或淋浴椅有困难。	淋浴椅和扶手的接头需要润滑。	根据 润滑 的建议对淋浴椅和扶手的接头进行润滑操作。

处理与回收

装置中含有可重复使用的材料。处理产品并不存在已知危险或风险。所有组件在清洁和消毒后方可丢弃。

处理产品时，建议按照不同的垃圾种类将产品进行拆卸和分解，再回收或烧毁。

下表提供关于回收和处理产品的资料。

可回收组件	材料
铝	铝在理论上可完全回收，其自然属性不会受损。回收所使用的能源只有生产原铝的 5%。再生铝的质量非常高，可以重复使用，即使是阳极氧化铝制品也是如此，因为阳极氧化层是铝材的天然成分。
钢	钢可在重新熔化后循环再用，并用作新钢生产的二次材料。
SEBS	如果当地有塑料分类回收系统，应妥善使用。如果没有，焚烧塑料也具有产生能源的额外优点，例如可用于热电联产等用途。
ABS塑料	由于原生 ABS 塑料比较贵重，回收 ABS 塑料在经济效益方面非常引人注目。回收的 ABS 塑料可以与原生材料进行混合，从而以较低的生产成本生产出高质量的产品。
聚亚安酯	与其他塑料类似，聚亚安酯的回收方式主要有以下两种：机械回收（材料可以聚合物形式重新利用）和化学回收（将材料还原至其各种化学成分）。

www.pressalit.com

en Visit our website to find your local dealer and get further information about Pressalit and our solutions for bathrooms and kitchens.

da Besøg vores hjemmeside for at finde din lokale forhandler og få yderligere oplysninger om Pressalit og vores løsninger inden for bad og køkken.

de Besuchen Sie unsere Website, und finden Sie einen Händler in Ihrer Nähe, um mehr über Pressalit und unsere Lösungen für Badezimmer und Küchen zu erfahren.

fr Rendez-vous sur notre site Internet pour trouver les coordonnées du revendeur le plus proche et obtenir des informations sur Pressalit et nos solutions pour la salle de bains et la cuisine.

nl Breng een bezoek aan onze website om te zien waar u onze producten kunt kopen en voor meer informatie over Pressalit en onze oplossingen voor badkamers en keukens.

sv Besök vår webbplats för att hitta en lokal återförsäljare och för mer information om Pressalit och våra lösningar för kök och badrum.

no Besøk nettstedet vårt for å finne din lokale forhandler og få ytterligere informasjon om Pressalit og løsningene våre for bad og kjøkken.

es Visite nuestro sitio Web para localizar su distribuidor local y obtener información adicional sobre Pressalit y nuestras soluciones para cuartos de baño y cocinas.

it Visita il nostro sito web per trovare il rivenditore di zona e richiedere ulteriori informazioni su Pressalit e sulle nostre soluzioni per il bagno e la cucina.

pl Odwiedź naszą stronę www, gdzie znajdziesz lokalnego dystrybutora oraz informacje o Pressalit i naszych rozwiązaniach dla łazienek oraz kuchni.

cs Navštivte naši webovou stránku, kde najdete svého místního prodejce a získáte další informace o společnosti Pressalit a našich řešeních pro koupelny a kuchyně.

中文 请访问我们的网站查询您所在地的经销商，以便获得关于Pressalit 以及我们其他浴室和厨房用品更详细的信息资料。

