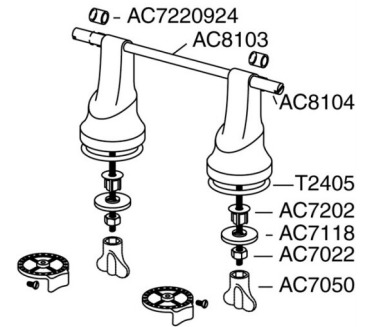




## Raised hinge 50 mm

**Item number** T9802  
EAN:5708590183923  
**Description** Raised hinge 50 mm



### Product capacity

**Weight** 0,37 kg  
**Gross weight** 0,37 kg  
**Weight per crate** 0 kg  
**Qty per crate** 0  
**Qty per pallet** 0

This product should be cleaned with hot water or a mild cleaning solution. Do not use chlorine based or corrosive cleaners as it may result in the surface being damaged.

[pressalit.com](http://pressalit.com)