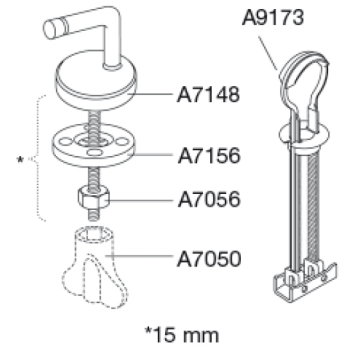




## Combi hinge, univertical

Item number

DH4999  
EAN:5708590344614



Product capacity

Weight

0,224 kg

Gross weight

0,224 kg

Weight per crate

0 kg

Qty per crate

0

Qty per pallet

0

The product is to be cleaned with hot water or a mild soapy cleaning agent. Do not use chlorine based or corrosive cleaners as it may result in the surface being damaged.

Subject to changes in the product range, technical changes and printing errors.

[pressalit.com](http://pressalit.com)