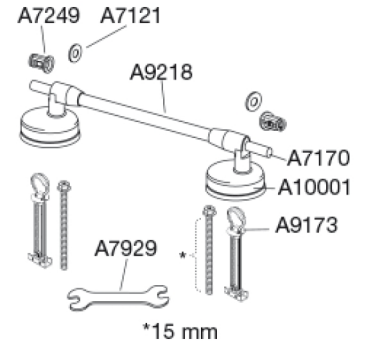




## Institutional hinge, universal

**Item number**

DC7P999  
EAN:5708590327723



**Product capacity**

**Weight**

0,267 kg

**Gross weight**

0,267 kg

**Weight per crate**

0 kg

**Qty per crate**

0

**Qty per pallet**

0

The product is to be cleaned with hot water or a mild soapy cleaning agent. Do not use chlorine based or corrosive cleaners as it may result in the surface being damaged.

Subject to changes in the product range, technical changes and printing errors.

[pressalit.com](http://pressalit.com)