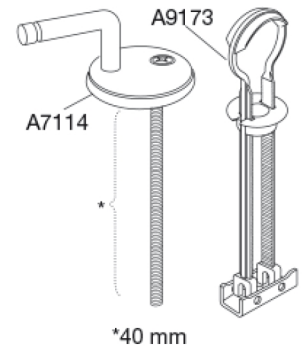




## Fixed hinge

**Item number**

DA9999  
EAN:5708590318196



**Product capacity**

**Weight**

0,106 kg

**Gross weight**

0,106 kg

**Weight per crate**

0 kg

**Qty per crate**

0

**Qty per pallet**

0

The product is to be cleaned with hot water or a mild soapy cleaning agent. Do not use chlorine based or corrosive cleaners as it may result in the surface being damaged.

Subject to changes in the product range, technical changes and printing errors.

[pressalit.com](http://pressalit.com)