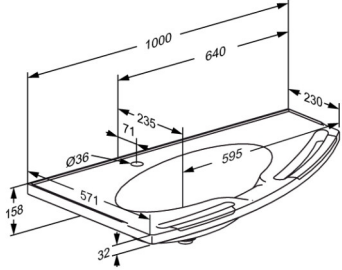




<p>Product Item number</p>	<p>MATRIX ANGLE DEEP wash basin without overflow, right-facing R2141112000</p>
<p>Colour Product description</p>	<p>VVS: 639872000 EAN: 5708590340821 HMI: 138162</p> <p>White</p>  <p>MATRIX is a series of wash basins, most of them are designed by Pressalit. MATRIX SMALL and CURVE wash basins fit onto PLUS, SELECT and VALUE wash basin brackets, whereas MATRIX MEDIUM, ANGLE, ANGLE DEEP and SQUARE are tailor made to fit specific brackets.</p> <p>MATRIX ANGLE DEEP vanity wash basin, 1000 x 571 x 158 mm, right-facing, with two integrated anthracite handrails in the front, with tap hole Ø36 mm, without overflow. Supplied with drain fitting. The wash basin has raised edges, preventing water from running over the back or down the outer sides. Materials: Cultured marble with a high-polished, pore-free sanitary gel coating. Suitable for mounting on MATRIX basin unit (R4840 (UK4845), R2012).</p>
<p>Product capacity</p>	<p>200 kg.</p>
<p>Materials</p>	<p>Cultured marble with a high-polished, pore-free sanitary gel coating.</p>
<p>Warranty</p>	<p>Pressalit makes a commitment to remedy material and manufacturing defects for a period of five years from the invoicing date.</p>



Product	MATRIX ANGLE DEEP wash basin without overflow, right-facing
Item number	R2141112000
Cleaning	<p>Wash basin For cleaning the wash basin, use hot water and a mild soapy cleaning agent. Make sure that the product is wiped down with a soft rag wrung out in clear water immediately after cleaning. For disinfecting the wash basin, the following agents can be used: Sodium hydroxide 5% Acetic acid solution 10% Ethanol solution 70% Sodium hypochlorite 5%, active chlorine Sodium chloride 170g/l, diluted to 50%. Make sure that the product is wiped down with a soft rag wrung out in clear water immediately after disinfection. NB! Do not use abrasive cleaning agents, as this will cause damage to the surface of the wash basin.</p>
Declaration of conformity	<p>Declaration of Performance Compliance criteria according to EN 14688:2015. 4.1 Load resistance: stable, without cracks or deformations. 4.2 Draining of water: Water drained away completely. 4.3 Resistance to temperature changes: Without cracks, delaminations. 4.4 Resistance to chemicals and staining agents: - Sodium hydroxide 5% - without staining or deterioration; - Acetic acid solution 10% - without staining or deterioration; - Ethanol sol. 70% - without staining or deterioration; - Sodium hypochlorite 5% active chlorine - without staining or deterioration; - Sodium chloride 170g/l diluted to 50% - without staining or deterioration. 4.5 Surface stability / resistance to scratching: Do not use abrasives on the surface. 4.6 Cleanability: Smooth, non-absorbant surfaces. 4.7 Protection against overflowing: CL 00. 4.8 Durability: Product is considered durable.</p>