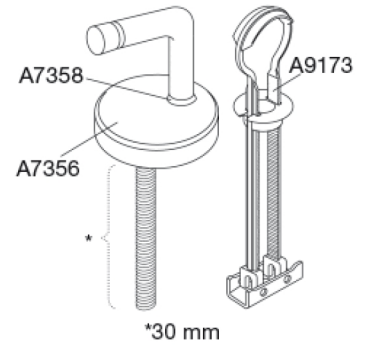




Univertical flex toggle hinge

Item number

UN4P999
VVS: 616810906
EAN: 5708590298320

**Product capacity**

Weight	0,167 kg
Gross weight	0,167 kg
Weight per crate	0 kg
Qty per crate	0
Qty per pallet	0

The product is to be cleaned with hot water or a mild soapy cleaning agent. Do not use chlorine based or corrosive cleaners as it may result in the surface being damaged.

Subject to changes in the product range, technical changes and printing errors.

pressalit.com