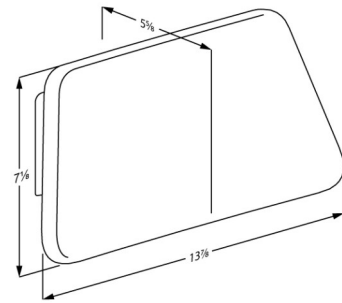




PRESSALIT®

Product	VALUE IV back rest, fixed height
Item number	R1661000112
Color	<p>VVS: 777525090 NRF: 6311837 RSK: 8565071 EAN: 5708590355115 HMI: 124224 DB: 2084079 FDA: INN/D135865</p> <p>Anthracite gray</p>
Product description	<p>VALUE IV folding shower seat and backrest create a simple solution for users who need to sit down while showering.</p> <p>VALUE IV back rest. Fixed height. Materials: Diecast aluminium and vacuum-moulded polyethylene (PE). Incl. mounting bolts for brick wall. Plugs depend on wall type and must be ordered separately.</p>
Adjustability	Fixed mounting
Materials	The wall profile is made of diecast aluminium, and the backrest is made of vacuum-moulded polyethylene (PE)
Warranty	Pressalit makes a commitment to remedy material and manufacturing defects for a period of five years from the invoicing date.





Product	VALUE IV back rest, fixed height
Item number	R1661000112
Cleaning	<p>This product should be cleaned with hot water or a mild cleaning solution. Do not use corrosive or abrasive cleaners as it may result in the surface being damaged.</p> <p>For surface disinfection, chlorine-based disinfectants may be used according to the product specification and safety precautions for these products.</p> <p>The following cleaning agents have been tested by Pressalit and may be used, as long as they are diluted according to the instructions on the container.</p> <p>DISINFECTANTS: Clinimax Difficil-S Erisan OXY+ Sprit (husholdningsprit) Suma Bac D10 Virkon Rodalon Desinfektionsspray Lysoformin Spezial CaviCide Sufanios Premium Tvättsprit 70% WipeClean UniversalCleaning Chlorine Disinfection Wipes Klorilli (Kilto Clean)</p> <p>NON-DISINFECTANTS: Suma Star free D1 Taski 100 Taski 200 Milizid Citro</p> <p>The product must be wiped down with a soft rag wrung out in clear water immediately after cleaning, as some materials may otherwise be discolored and stained, and the surface coating may deteriorate.</p>