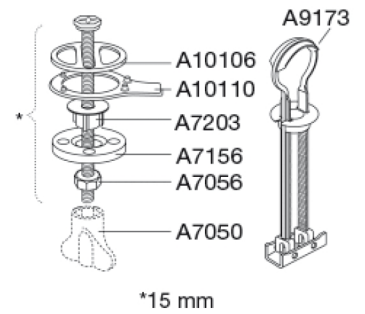




Combi hinge, universal

Item number

DG4925
VVS: 616810832
EAN: 5708590344591

**Product capacity**

Weight	0,139 kg
Gross weight	0,139 kg
Weight per crate	0 kg
Qty per crate	0
Qty per pallet	0

The product is to be cleaned with hot water or a mild soapy cleaning agent. Do not use chlorine based or corrosive cleaners as it may result in the surface being damaged.

Subject to changes in the product range, technical changes and printing errors.