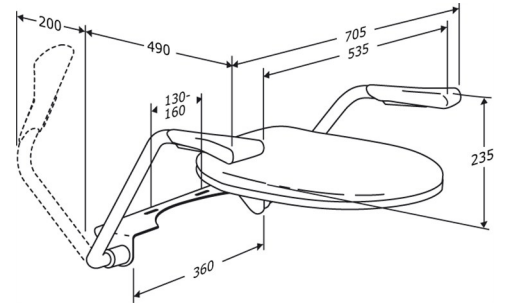




| | |
|----------------------------------|--|
| Product | VALUE support arm for mounting on toilet |
| Item number | R1170000 |
| Colour | White |
| Product description | <p>VVS:615723200 NRF:6191649 EAN:5708590211701 HMI: 35270 NBS:N13:436</p> <p>Support arms for mounting on toilet, incl. R37 Dania toilet seat. With BL1999 hinge. Dark grey handles.</p> |
| Adjustability | Fixed mounting |
| Materials | Basic material: Steel Armrests: Polyurethane Seat/cover: Thermoset plastic (urea) |
| Ergonomy | <p>The folding arms give a good support and the moulded handles are comfortable for the hands and arms.</p> <p>The support arms can be folded individually.</p> |
| Warranty | Pressalit makes a commitment to remedy material and manufacturing defects for a period of five years from the invoicing date. |
| Declaration of conformity | This product complies with the requirements of Council Directive 93/42/EEC concerning medical devices, as last amended by Council Directive 2007/47/EC of 5 September 2007. |





PRESSALIT®

| | |
|--------------------|--|
| Product | VALUE support arm for mounting on toilet |
| Item number | R1170000 |



www.pressalit.com

Pressalit A/S
Pressalitvej 1
DK-8680 Ry
Tel.: +45 8788 8788
Fax: +45 8788 8789
E-mail: pressalit@pressalit.com

PRESSALIT®