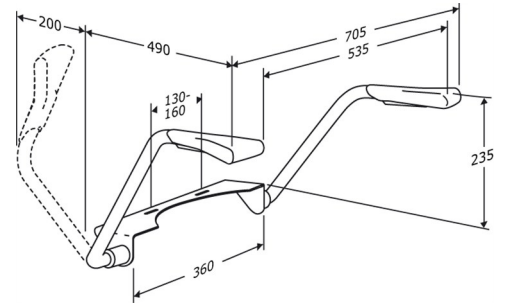




Product Item number	VALUE support arm for mounting on toilet R1171000
Colour Product description	VVS:615723100 NRF:6191651 EAN:5708590211718 HMI: 42230 NBS:N13:436 White Support arms for mounting on toilet, incl. BL1999 hinge. Dark grey handles.
Adjustability	Fixed mounting
Materials	Basic material: Steel Armrests: Polyurethane Seat/cover: Thermoset plastic (urea)
Ergonomy	The folding arms give a good support and the moulded handles are comfortable for the hands and arms. The support arms can be folded individually.
Features	The support arms can be folded individually.
Warranty	Pressalit makes a commitment to remedy material and manufacturing defects for a period of five years from the invoicing date.
Declaration of conformity	This product complies with the requirements of Council Directive 93/42/EEC concerning medical devices, as last amended by Council Directive 2007/47/EC of 5 September 2007.





PRESSALIT®

Product	VALUE support arm for mounting on toilet
Item number	R1171000



www.pressalit.com

Pressalit A/S
Pressalitvej 1
DK-8680 Ry
Tel.: +45 8788 8788
Fax: +45 8788 8789
E-mail: pressalit@pressalit.com

PRESSALIT®