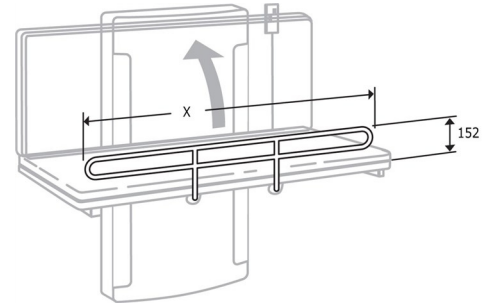




Product	Safety rail for foldable changing tables
Item number	RB1922000 VVS:777633720 NRF:7501949 EAN:5708590222790 HMI: 55104 NBS:N13:448
Colour	White
Product description	Guardrail for foldable changing tables 900 mm - 1400 mm. Length will be adapted to length of changing table. Please indicate desired length when placing the order. Should be ordered with changing table, as retro-fitting is difficult.
Adjustment height	
Cleaning	<p>RB1901-RB1905 Changing table mattress, upholstery (cover) – white. 1460 PU quality (polyurethane), phthalate-free. Pressalit recommends daily cleaning with soapy water and subsequent wiping over with a damp cloth, and weekly wash at 60°, without fabric softener. Do not turn inside out before washing. Can be tumble-dried. Can be disinfected with antiseptic wipes. Do not use disinfectants intended for hard surfaces.</p> <p>Nursing table mattresses, upholstery (cover) – red or blue. NX200; a vinyl quality that is Öko-Tex 100 approved, which means that it doesn't contain phthalates or heavy metals. Pressalit recommends daily cleaning with soapy water and subsequent wiping over with a damp cloth, and weekly wash at 40°, without fabric softener. Do not turn inside out before washing. Do not tumble-dry. Can NOT be disinfected.</p> <p>Padding (foam). The foam contains only DINP softeners which are approved by the EU for the use in articles for children. Do not wash the foam. Do not use the mattress without the cover for reasons of hygiene.</p>





PRESSALIT®

Product	Safety rail for foldable changing tables
----------------	--



www.pressalit.com

Pressalit A/S
Pressalitvej 1
DK-8680 Ry
Tel.: +45 8788 8788
Fax: +45 8788 8789
E-mail: pressalit@pressalit.com

PRESSALIT®