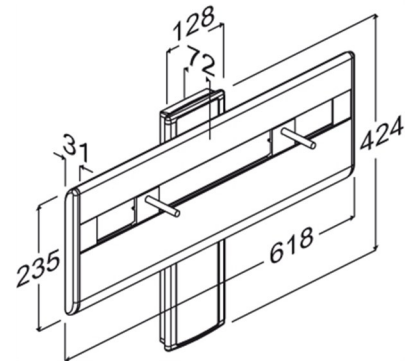




Product	PLUS wash basin bracket with lever control, manually height adjustable
Item number Colour Product description	<p>R4550112 VVS:654001110 NRF:6132527 RSK:7972586 EAN:5708590309385 HMI: 71763 NBS:N13:30,335 FDA:ILW/D142473</p> <p>Anthracite grey</p> <p>PLUS wash basin bracket. Manually height adjustable by 240 mm via lever control,. Recommendation: Flexible feed and waste system R2061/R2065. (UK markets R2071/R2075). Anthracite cover plate for vertical wall track. Materials: Aluminium and ABS polymer. Incl. fixing bolts for wash basin, excl. fixing kit for wall.</p>
Adjustability Adjustment height Product capacity	<p>Height adjustable</p> <p>240 mm</p> <p>Maximum load: 200 kg. Suitable for wash basins that weigh 16-22 kg. When the wash basin is loaded with 200 kg, each wall fastener will be carrying 84 kg. <i>Wash basin brackets need to be able to carry the weight of the wash basin, as well as support the weight of the person who is leaning against the wash basin or who is using the wash basin to rise from seated position.</i> Neither wash basin nor wash basin brackets are intended to carry a person, and the test methods applicable to wash basin brackets reflect this: ISO 17966 prescribes a static test on the front edge of the wash basin at 75% of maximum user weight, i.e. when the maximum load on a wash basin bracket is given as 200 kg and the wash basin weighs 20 kg, it is – according to ISO 17966 – the equivalent of a user weighing 240 kg leaning on the front edge of the wash basin.</p>
Materials Ergonomy	<p>The wash basin bracket is primarily made of 10-micrometre anodized aluminium. The ends of the bracket cover are capped with ABS polymer.</p> <p>The wash basin bracket suits all types of bolt-mounted wash basin. Its rounded, sleek design greatly facilitates cleaning.</p>





Product	PLUS wash basin bracket with lever control, manually height adjustable
Features	<p>If the height of the wash basin only needs to be adjusted occasionally, a manually regulated wash basin bracket could be the best solution.</p> <p>Adjustment involves supporting the weight of the basin and part of the bracket. Where frequent height adjustment is expected, use gas-assisted wash basin bracket R4650 or electrically operated wash basin bracket R475x, instead.</p>
Warranty	<p>Pressalit makes a commitment to remedy material and manufacturing defects for a period of five years from the invoicing date.</p>
Cleaning	<p>PLUS & SELECT wash basin brackets.</p> <p>The product is to be cleaned with hot water or a mild soapy cleaning agent. Do not use chlorine based, corrosive or abrasive cleaners as it may result in the surface being damaged.</p> <p>The following cleaning agents have been tested by Pressalit and may be used, as long as they are diluted according to the instructions on the container.</p> <p>DISINFECTANTS: Clinimax Difficil-S Erisan OXY+</p> <p>NON-DISINFECTANTS: Suma Star free D1 Taski 100 Taski 200</p> <p>The product must be wiped down with a soft rag wrung out in clear water immediately after cleaning, as some materials may otherwise be discolored and stained, and the surface coating may deteriorate.</p> <p>DECALCIFICATION OF ALUMINUM PARTS: Pressalit recommends that chalky deposits be removed from wall tracks and other aluminum parts using a solution of three parts 30% acetic acid to seven parts tap water. When the aluminum parts have been washed down with this solution, the parts must be wiped over with a damp cloth wrung out in clear water.</p>
Declaration of conformity	<p>This product complies with the requirements of Council Directive 93/42/EEC concerning medical devices, as last amended by Council Directive 2007/47/EC of 5 September 2007. It also complies with all relevant requirements in the Council Directive 2006/42/EC (of 17 May 2006) on machinery.</p>





PRESSALIT®

Product	PLUS wash basin bracket with lever control, manually height adjustable
----------------	------------------------------------------------------------------------



www.pressalit.com

Pressalit A/S
Pressalitvej 1
DK-8680 Ry
Tel.: +45 8788 8788
Fax: +45 8788 8789
E-mail: pressalit@pressalit.com

PRESSALIT®