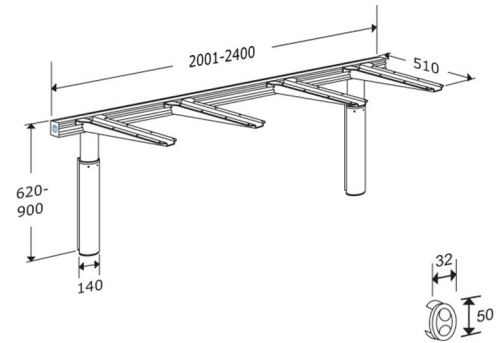




Product	Lift for worktop, electrically height adjustable
Item number	RK1013-92 EAN:5708590334578
Product description	<p>Lift for worktop, with 2 motors and switches. Including 4 brackets and transformer. Lengths from 2001 mm - 2400 mm. Height adjustable 280 mm</p> <p>Incl. fixing kit for brick wall</p> <p>Please state desired length when ordering</p>
Adjustability	Height adjustable
Adjustment height	280 mm
Product capacity	Maximum load (evenly distributed): 100 kg including worktop.
Speed, upwards	Speed up mm: 20 mm/s Speed down mm: 20 mm/s
Noise level	45 dB
Materials	<p>Material: Telescopic leg: Aluminium, ABS plastic Cross braces: Aluminium Brackets: Steel Cable tray: ABS plastic Switches: ABS plastic Surface treatment: Brackets: Powder lacquered (grey RAL 9006)</p>
Ergonomy	<p>An electric height-adjustable kitchen worktop is ideal in all situations where various users - both seated and standing - use the same kitchen. This is equally true in private homes as well as larger centres with common kitchen facilities such as group homes and care centres.</p>
Features	<p>Lift heights are adjusted via switches in the front edge. Operating switches can be placed wherever you want in the front edge. The switches are colour-coded - aluminium to operate worktops and red to operate wall cupboards. Lifts can be adapted to most standard kitchen components. Lifts are available for worktops of any length between 600 mm and 3000 mm. Height adjustable 280 mm.</p>





Product	Lift for worktop, electrically height adjustable
Actuator (motor)	DB4 Deskline (Linak) 1000 N, IP22
Control box	CBD6 (Linak)
Wired remote control	HB53 (Linak), IPX1
Power consumption (maximum load)	Power consumption by maximum load: 300 W Power consumption by standby: 2 W
Warranty	Pressalit makes a commitment to remedy material and manufacturing defects for a period of three years from the invoicing date.
Cleaning	<p>INDIVO lift for kitchen worktop. The product is to be cleaned with hot water or a mild soapy cleaning agent. Do not use chlorine based, corrosive or abrasive cleaners as it may result in the surface being damaged.</p> <p>The following cleaning agents have been tested by Pressalit and may be used, as long as they are diluted according to the instructions on the container.</p> <p>DISINFECTANTS: Clinimax Difficil-S Erisan OXY+</p> <p>NON-DISINFECTANTS: Suma Star free D1 Taski 100 Taski 200</p> <p>The product must be wiped down with a soft rag wrung out in clear water immediately after cleaning, as some materials may otherwise be discolored and stained, and the surface coating may deteriorate.</p> <p>DECALCIFICATION OF ALUMINUM PARTS: Pressalit recommends that chalky deposits be removed from wall tracks and other aluminum parts using a solution of three parts 30% acetic acid to seven parts tap water. When the aluminum parts have been washed down with this solution, the parts must be wiped over with a damp cloth wrung out in clear water.</p>





PRESSALIT®

Product	Lift for worktop, electrically height adjustable
----------------	--



www.pressalit.com

Pressalit A/S
Pressalitvej 1
DK-8680 Ry
Tel.: +45 8788 8788
Fax: +45 8788 8789
E-mail: pressalit@pressalit.com

PRESSALIT®