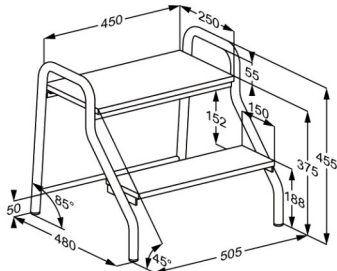




PRESSALIT®

Product	Stepladder
Item number	R8709000
	VVS: 777638650 NRF: 7501985 EAN: 5708590338453 HMI: 100221
Colour	White
Product description	Stepladder, 2 steps, width 505 mm. Height top step 375 mm. Stepladder, 2 steps, width 505 mm. Height top step 375 mm.
	
Cleaning	The product is to be cleaned with hot water or a mild soapy cleaning agent. Do not use chlorine based or corrosive cleaners as it may result in the surface being damaged.

pressalit.com

Pressalit A/S
Pressalitvej 1
DK-8680 Ry
Tel.: +45 8788 8788
Fax: +45 8788 8789
E-mail: pressalit@pressalit.com

PRESSALIT®